

KOBEI®

PULLEYS & SHEAVES

目录 Contents

V-Belt Pulleys For Taper Bushes 锥孔皮带轮



V-Belt Pulleys

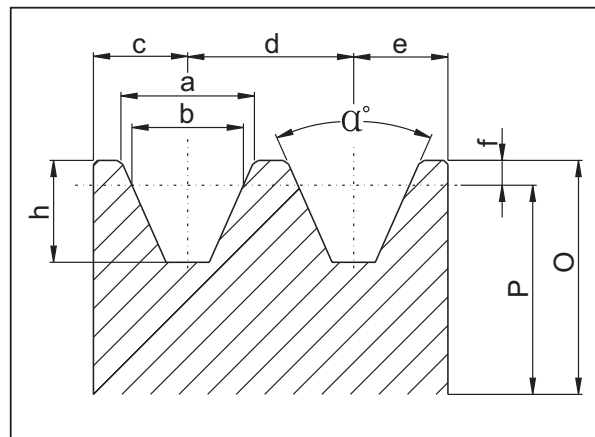
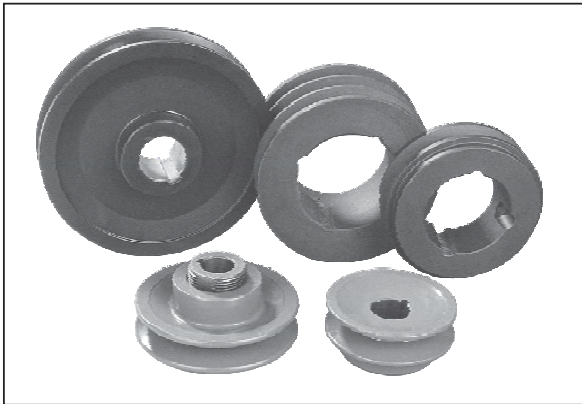
V-belt pulleys

in this catalogue are all manufactured according to ISO 4183 and

DIN 2211 norms. The material used for the construction of these pulleys is cast iron **GG25** and after the machining all pulleys are being **PHOSPHATED**. Each pulley is strictly **DYNAMICALLY BALANCED** with high precision dynamical balancing machining tools. Unbalanced volume will corrected accurately.

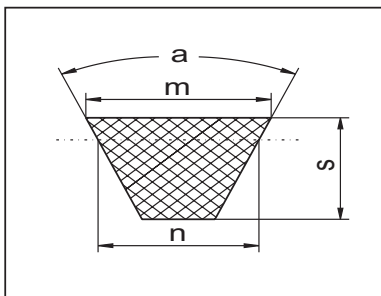
Each pulley

can be used safely and reliably.



Pulley dimensions

Section	P	α°	a	b	c	d	e	f	h
SPZ	≤ 80	34	9.7	8.5	8	12	8	2	11
	> 80	38	9.9						
SPA	≤ 118	34	12.7	11	10	15	10	2.75	13.75
	> 118	38	12.9						
SPB	≤ 190	34	16.1	14	12.5	19	12.5	3.5	17.5
	> 190	38	16.4						
SPC	≤ 315	34	21.9	19	17	25.5	17	4.8	23.8
	> 315	38	22.3						



Belt dimensions

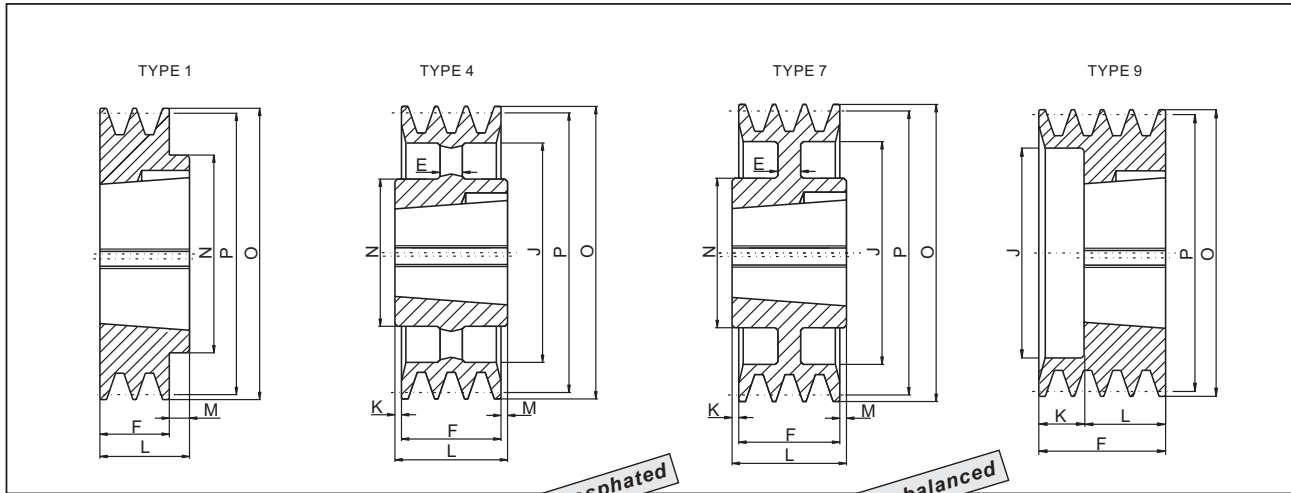
	m	s	n
SPZ	9.7	8	8.5
SPA	12.7	10	11.0
SPB	16.3	13	14.0
SPC	22.0	18	19.0

* Diagram & Dimension will be change without prior notice.*

* Data stated above is for reference only.*

V-Belt Pulleys For Taper Bushes

SPZ/1



SPZ/1

Surface Phosphated
磷化发黑

Dynamically balanced
动平衡

槽数 节圆 外径 图例 锥孔 最大孔 轮板厚 轮厚 止口 孔长 小外圆直径

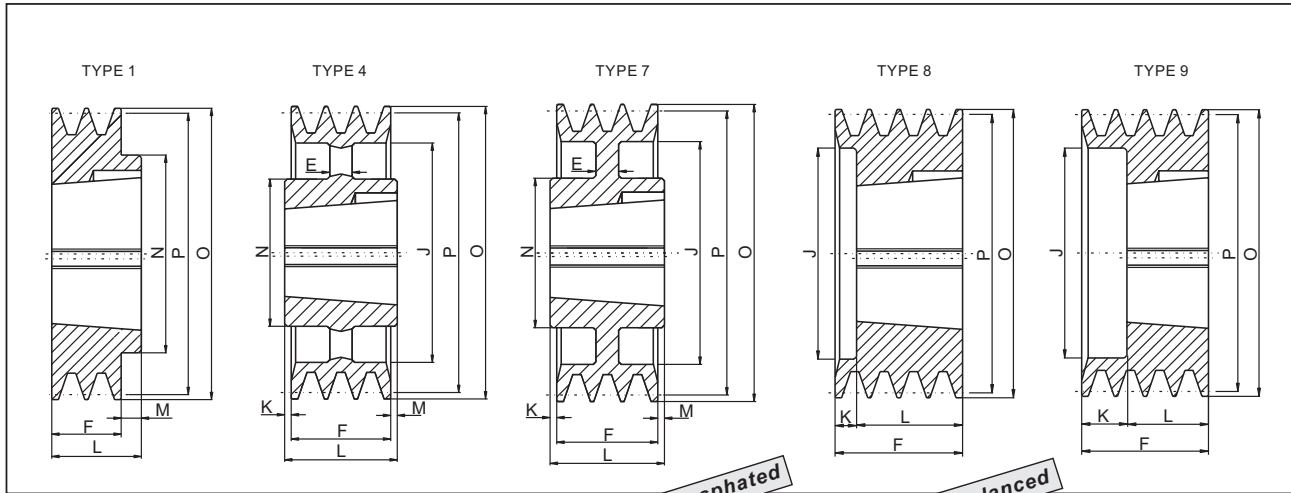
Type	Grooves	P	O	Type	Bush	Max Bore	E	F	J	K	L	M	N
SPZ 50-01	1	50	54	9	1008	25	-	37	26	15	22	-	-
SPZ 56-01	1	56	60	9	1008	25	-	37	30	15	22	-	-
SPZ 60-01	1	60	64	9	1008	25	-	22	-	-	22	-	-
SPZ 63-01	1	63	67	1	1108	28	-	16	-	-	22	6	62
SPZ 67-01	1	67	71	1	1108	28	-	16	-	-	22	6	62
SPZ 71-01	1	71	75	1	1108	28	-	16	-	-	22	6	62
SPZ 75-01	1	75	79	1	1108	28	-	16	-	-	22	6	62
SPZ 80-01	1	80	84	1	1210	32	-	16	-	-	25	9	75
SPZ 85-01	1	85	89	1	1210	32	-	16	-	-	25	9	75
SPZ 90-01	1	90	94	1	1210	32	-	16	-	-	25	9	75
SPZ 95-01	1	95	99	1	1210	32	-	16	-	-	25	9	75
SPZ 100-01	1	100	104	1	1210	32	-	16	-	-	25	9	75
SPZ 106-01	1	106	110	1	1610	42	-	16	-	-	25	9	80
SPZ 112-01	1	112	116	1	1610	42	-	16	-	-	25	9	80
SPZ 118-01	1	118	122	1	1610	42	-	16	-	-	25	9	80
SPZ 125-01	1	125	129	1	1610	42	-	16	-	-	25	9	80
SPZ 132-01	1	132	136	1	1610	42	-	16	-	-	25	9	80
SPZ 140-01	1	140	144	7	1610	42	8	16	112	-	25	9	80
SPZ 150-01	1	150	154	7	1610	42	8	16	122	-	25	9	80
SPZ 160-01	1	160	164	7	1610	42	-	16	132	-	25	9	80
SPZ 170-01	1	170	174	7	1610	42	-	16	142	-	25	9	80
SPZ 180-01	1	180	184	7	1610	42	-	16	152	-	25	9	80
SPZ 190-01	1	190	194	7	1610	42	-	16	162	-	25	9	80
SPZ 200-01	1	200	204	7	2012	50	-	16	172	-	32	16	100
SPZ 224-01	1	224	228	4	2012	50	15	16	196	-	32	16	100
SPZ 250-01	1	250	254	4	2012	50	-	16	222	8	32	8	100
SPZ 280-01	1	280	284	4	2012	50	-	16	252	8	32	8	100
SPZ 315-01	1	315	319	4	2012	50	-	16	287	8	32	8	100
SPZ 355-01	1	355	359	4	2012	50	-	16	327	8	32	8	100
SPZ 400-01	1	400	404	4	2012	50	-	16	372	8	32	8	100
SPZ 450-01	1	450	454	4	2517	60	-	16	422	14.5	45	14.5	120

* Diagram & Dimension will be change without prior notice.*

* Data stated above is for reference only.*

V-Belt Pulleys For Taper Bushes

SPZ/2



Surface Phosphated

Dynamically balanced

SPZ/2

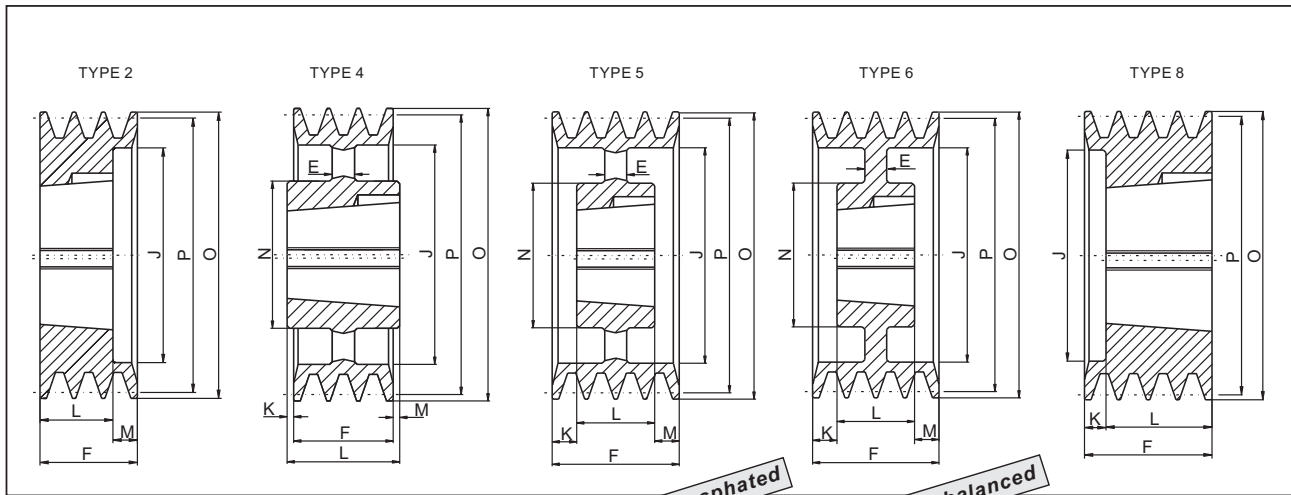
Type	Grooves	P	O	Type	Bush	Max Bore	E	F	J	K	L	M	N
SPZ 50-02	2	50	54	9	1008	25	-	49	28	27	22	-	-
SPZ 56-02	2	56	60	9	1108	28	-	49	35	27	22	-	-
SPZ 60-02	2	60	64	9	1108	28	-	49	36	27	22	-	-
SPZ 63-02	2	63	67	8	1108	28	-	28	40	6	22	-	-
SPZ 67-02	2	67	71	8	1108	28	-	28	42	6	22	-	-
SPZ 71-02	2	71	75	8	1108	28	-	28	43	6	22	-	-
SPZ 75-02	2	75	79	8	1210	32	-	28	51	3	25	-	-
SPZ 80-02	2	80	84	8	1210	32	-	28	52	3	25	-	-
SPZ 85-02	2	85	89	8	1610	42	-	28	60	3	25	-	-
SPZ 90-02	2	90	94	8	1610	42	-	28	62	3	25	-	-
SPZ 95-02	2	95	99	8	1610	42	-	28	67	3	25	-	-
SPZ 100-02	2	100	104	8	1610	42	-	28	72	3	25	-	-
SPZ 106-02	2	106	110	8	1610	42	-	28	78	3	25	-	-
SPZ 112-02	2	112	116	8	1610	42	-	28	84	3	25	-	-
SPZ 118-02	2	118	122	8	1610	42	-	28	90	3	25	-	-
SPZ 125-02	2	125	129	8	1610	42	-	28	97	3	25	-	-
SPZ 132-02	2	132	136	8	1610	42	-	28	104	3	25	-	-
SPZ 140-02	2	140	144	6	1610	42	-	28	112	3	25	-	80
SPZ 150-02	2	150	154	1	2012	50	-	28	-	-	32	4	100
SPZ 160-02	2	160	164	7	2012	50	-	28	132	-	32	4	100
SPZ 170-02	2	170	174	7	2012	50	-	28	142	-	32	4	100
SPZ 180-02	2	180	184	7	2012	50	10	28	152	-	32	4	100
SPZ 190-02	2	190	194	7	2012	50	10	28	162	-	32	4	100
SPZ 200-02	2	200	204	7	2012	50	10	28	172	-	32	4	100
SPZ 224-02	2	224	228	7	2012	50	10	28	196	-	32	4	100
SPZ 250-02	2	250	254	4	2012	50	-	28	222	2	32	2	100
SPZ 280-02	2	280	284	4	2012	50	-	28	252	2	32	2	100
SPZ 315-02	2	315	319	4	2012	50	-	28	287	2	32	2	100
SPZ 355-02	2	355	359	4	2012	50	-	28	327	2	32	2	110
SPZ 400-02	2	400	404	4	2517	60	-	28	372	8,5	45	8,5	120
SPZ 450-02	2	450	454	4	2517	60	-	28	422	8,5	45	8,5	120

* Diagram & Dimension will be change without prior notice.*

* Data stated above is for reference only.*

V-Belt Pulleys For Taper Bushes

SPZ/3



Surface Phosphated

Dynamically balanced

SPZ/3

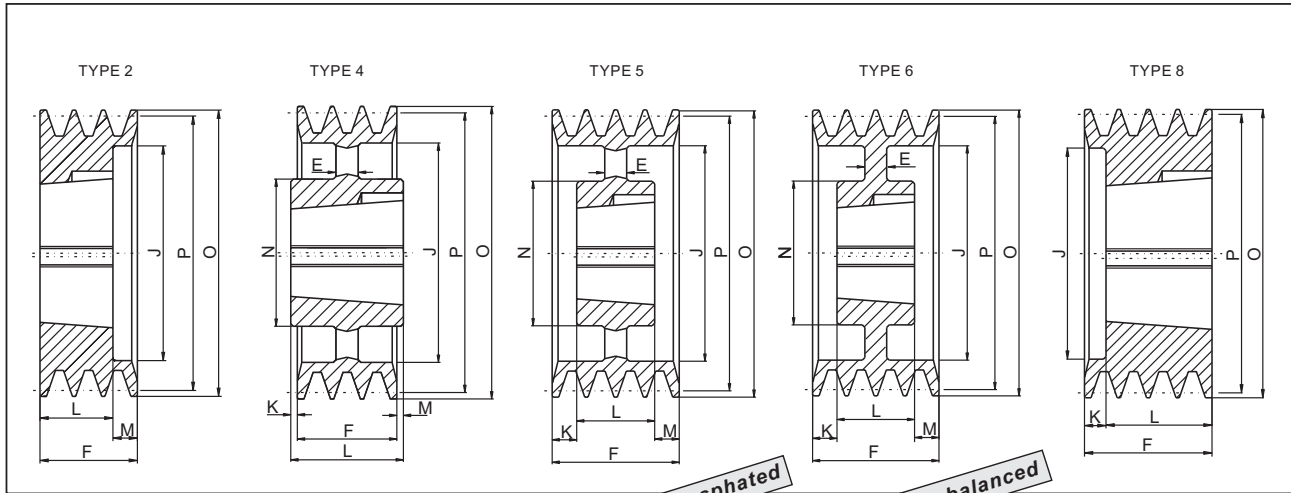
Type	Grooves	P	O	Type	Bush	Max Bore	E	F	J	K	L	M	N
SPZ 63-03	3	63	67	8	1108	28	-	40	40	18	22	-	-
SPZ 67-03	3	67	71	8	1108	28	-	40	42	18	22	-	-
SPZ 71-03	3	71	75	8	1108	28	-	40	43	18	22	-	-
SPZ 75-03	3	75	79	8	1210	32	-	40	48	15	25	-	-
SPZ 80-03	3	80	84	8	1210	32	-	40	52	15	25	-	-
SPZ 85-03	3	85	89	8	1610	42	-	40	60	15	25	-	-
SPZ 90-03	3	90	94	8	1610	42	-	40	62	15	25	-	-
SPZ 95-03	3	95	99	8	1610	42	-	40	67	15	25	-	-
SPZ 100-03	3	100	104	8	1610	42	-	40	72	15	25	-	-
SPZ 106-03	3	106	110	8	1610	42	-	40	78	15	25	-	-
SPZ 112-03	3	112	116	8	2012	50	-	40	84	8	32	-	-
SPZ 118-03	3	118	122	8	2012	50	-	40	92	8	32	-	-
SPZ 125-03	3	125	129	2	2012	50	-	40	97	-	32	8	-
SPZ 132-03	3	132	136	2	2012	50	-	40	104	-	32	8	-
SPZ 140-03	3	140	144	2	2012	50	-	40	112	-	32	8	-
SPZ 150-03	3	150	154	2	2012	50	-	40	122	-	32	8	-
SPZ 160-03	3	160	164	2	2012	50	-	40	132	-	32	8	-
SPZ 170-03	3	170	174	6	2012	50	-	40	142	-	32	8	-
SPZ 180-03	3	180	184	6	2012	50	-	40	152	-	32	8	-
SPZ 190-03	3	190	194	6	2012	50	20	40	162	4	32	4	100
SPZ 200-03	3	200	204	6	2012	50	20	40	172	4	32	4	100
SPZ 224-03	3	224	228	5	2012	50	20	40	196	4	32	4	100
SPZ 250-03	3	250	254	5	2012	50	-	40	222	4	32	4	100
SPZ 280-03	3	280	284	4	2517	60	-	40	252	2,5	45	2,5	120
SPZ 315-03	3	315	319	4	2517	60	-	40	287	2,5	45	2,5	120
SPZ 355-03	3	355	359	4	2517	60	-	40	327	2,5	45	2,5	120
SPZ 400-03	3	400	404	4	2517	60	-	40	372	2,5	45	2,5	120
SPZ 450-03	3	450	454	4	2517	60	-	40	422	2,5	45	2,5	120
SPZ 500-03	3	500	504	4	2517	60	-	40	472	2,5	45	2,5	120
SPZ 630-03	3	630	634	4	2517	60	-	40	602	2,5	45	2,5	120
SPZ 800-03	3	800	804	4	3020	75	-	40	772	5,5	51	5,5	145

* Diagram & Dimension will be change without prior notice.*

* Data stated above is for reference only.*

V-Belt Pulleys For Taper Bushes

SPZ/4



Surface Phosphated

Dynamically balanced

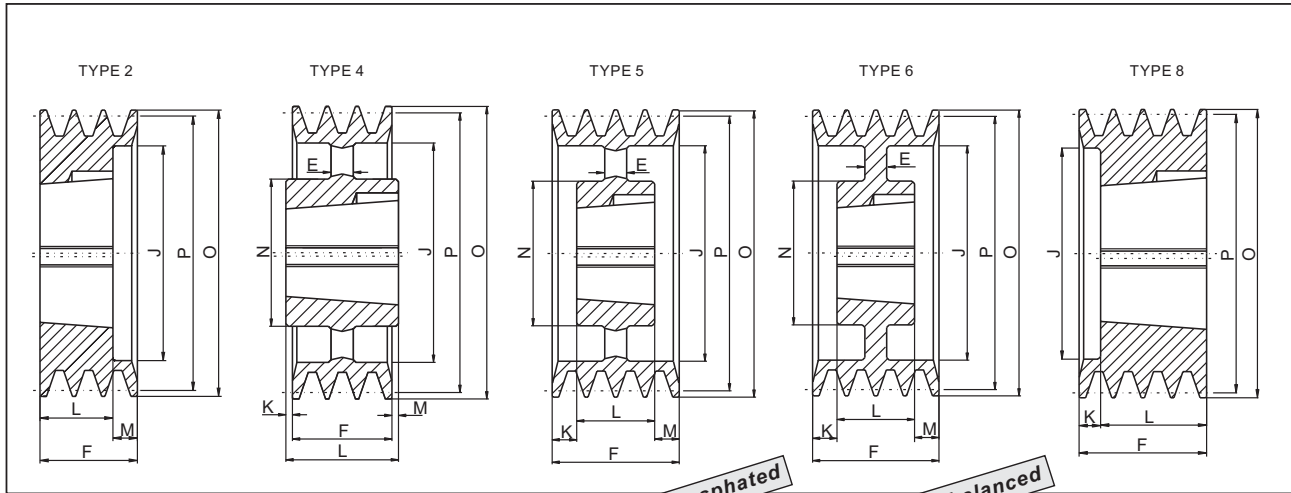
SPZ/4

Type	Grooves	P	O	Type	Bush	Max Bore	E	F	J	K	L	M	N
SPZ 80-04	4	80	84	8	1210	32	-	52	52	27	25	-	-
SPZ 85-04	4	85	89	8	1610	42	-	52	60	27	25	-	-
SPZ 90-04	4	90	94	8	1610	42	-	52	62	27	25	-	-
SPZ 95-04	4	95	99	8	1610	42	-	52	67	27	25	-	-
SPZ 100-04	4	100	104	8	1610	42	-	52	72	27	25	-	-
SPZ 106-04	4	106	110	8	1610	42	-	52	80	27	25	-	-
SPZ 112-04	4	112	116	8	2012	50	-	52	86	20	32	-	-
SPZ 118-04	4	118	122	8	2012	50	-	52	92	20	32	-	-
SPZ 125-04	4	125	129	2	2012	50	-	52	99	-	32	20	-
SPZ 132-04	4	132	136	2	2012	50	-	52	104	-	32	20	-
SPZ 140-04	4	140	144	2	2012	50	-	52	112	-	32	20	-
SPZ 150-04	4	150	154	2	2517	60	-	52	122	-	45	7	-
SPZ 160-04	4	160	164	2	2517	60	-	52	132	-	45	7	-
SPZ 170-04	4	170	174	2	2517	60	-	52	142	-	45	7	-
SPZ 180-04	4	180	184	6	2517	60	-	52	152	-	45	7	-
SPZ 190-04	4	190	194	6	2517	60	10	52	162	3.5	45	3.5	120
SPZ 200-04	4	200	204	6	2517	60	10	52	172	3.5	45	3.5	120
SPZ 224-04	4	224	228	6	2517	60	10	52	196	3.5	45	3.5	120
SPZ 250-04	4	250	254	5	2517	60	-	52	222	3.5	45	3.5	120
SPZ 280-04	4	280	284	5	2517	60	-	52	252	3.5	45	3.5	120
SPZ 315-04	4	315	319	5	2517	60	-	52	287	3.5	45	3.5	120
SPZ 355-04	4	355	359	5	2517	60	-	52	327	3.5	45	3.5	120
SPZ 400-04	4	400	404	5	2517	60	-	52	372	3.5	45	3.5	120
SPZ 450-04	4	450	454	5	3020	75	-	52	422	0.5	51	0.5	145
SPZ 500-04	4	500	504	5	3020	75	-	52	472	0.5	51	0.5	145
SPZ 630-04	4	630	634	4	3030	75	-	52	602	12	76	12	145
SPZ 800-04	4	800	804	4	3030	75	-	52	772	12	76	12	145

4 * Diagram & Dimension will be change without prior notice.*
* Data stated above is for reference only.*

V-Belt Pulleys For Taper Bushes

SPZ/5



Surface Phosphated

Dynamically balanced

SPZ/5

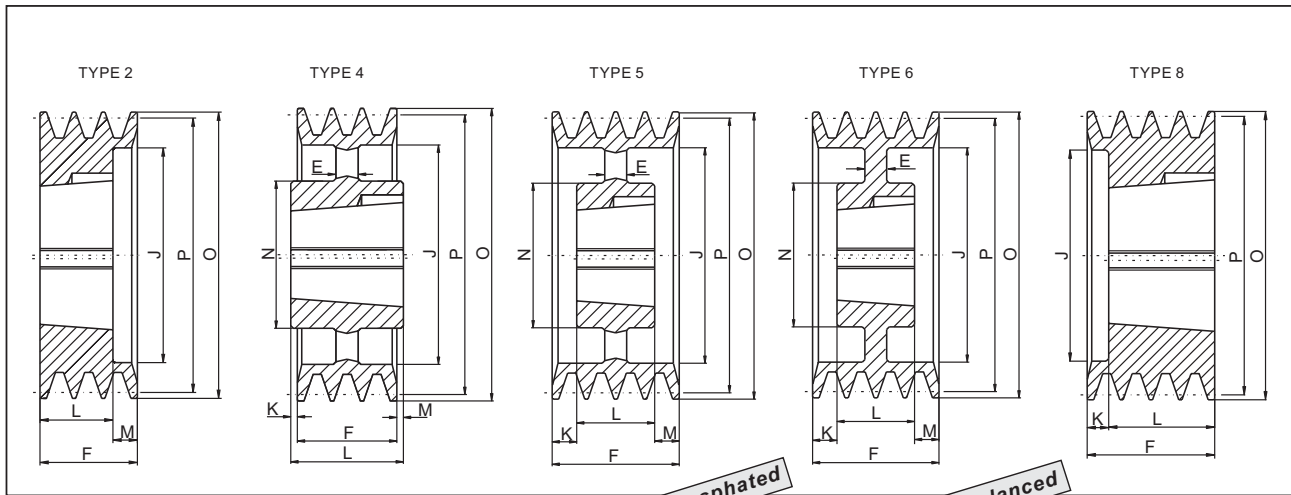
Type	Grooves	P	O	Type	Bush	Max Bore	E	F	J	K	L	M	N
SPZ 85-05	5	85	89	8	1610	42	-	64	60	39	25	-	-
SPZ 90-05	5	90	94	8	1610	42	-	64	62	39	25	-	-
SPZ 95-05	5	95	99	8	1610	42	-	64	67	39	25	-	-
SPZ 100-05	5	100	104	8	2012	50	-	64	72	32	32	-	-
SPZ 106-05	5	106	110	8	2012	50	-	64	78	32	32	-	-
SPZ 112-05	5	112	116	8	2012	50	-	64	84	32	32	-	-
SPZ 118-05	5	118	122	8	2012	50	-	64	90	32	32	-	-
SPZ 125-05	5	125	129	8	2012	50	-	64	97	32	32	-	-
SPZ 132-05	5	132	136	8	2517	60	-	64	104	19	45	-	-
SPZ 140-05	5	140	144	2	2517	60	-	64	112	-	45	19	-
SPZ 150-05	5	150	154	2	2517	60	-	64	122	-	45	19	-
SPZ 160-05	5	160	164	2	2517	60	-	64	132	-	45	19	-
SPZ 170-05	5	170	174	6	2517	60	-	64	142	-	45	19	-
SPZ 180-05	5	180	184	6	2517	60	-	64	152	-	45	19	-
SPZ 190-05	5	190	194	6	2517	60	10	64	162	9.5	45	9.5	120
SPZ 200-05	5	200	204	6	2517	60	10	64	172	9.5	45	9.5	120
SPZ 224-05	5	224	228	6	2517	60	10	64	196	9.5	45	9.5	120
SPZ 250-05	5	250	254	5	2517	60	-	64	222	9.5	45	9.5	120
SPZ 280-05	5	280	284	5	2517	60	-	64	252	9.5	45	9.5	120
SPZ 315-05	5	315	319	5	2517	60	-	64	287	9.5	45	9.5	120
SPZ 355-05	5	355	359	5	2517	60	-	64	327	9.5	45	9.5	120
SPZ 400-05	5	400	404	5	3020	75	-	64	372	6.5	51	6.5	145
SPZ 450-05	5	450	454	5	3020	75	-	64	422	6.5	51	6.5	145
SPZ 500-05	5	500	504	5	3020	75	-	64	472	6.5	51	6.5	145
SPZ 630-05	5	630	634	4	3030	75	-	64	602	6	76	6	145
SPZ 800-05	5	800	804	4	3535	90	-	64	772	12.5	89	12.5	170

* Diagram & Dimension will be change without prior notice.*

* Data stated above is for reference only.*

V-Belt Pulleys For Taper Bushes

SPZ/6



Surface Phosphated

Dynamically balanced

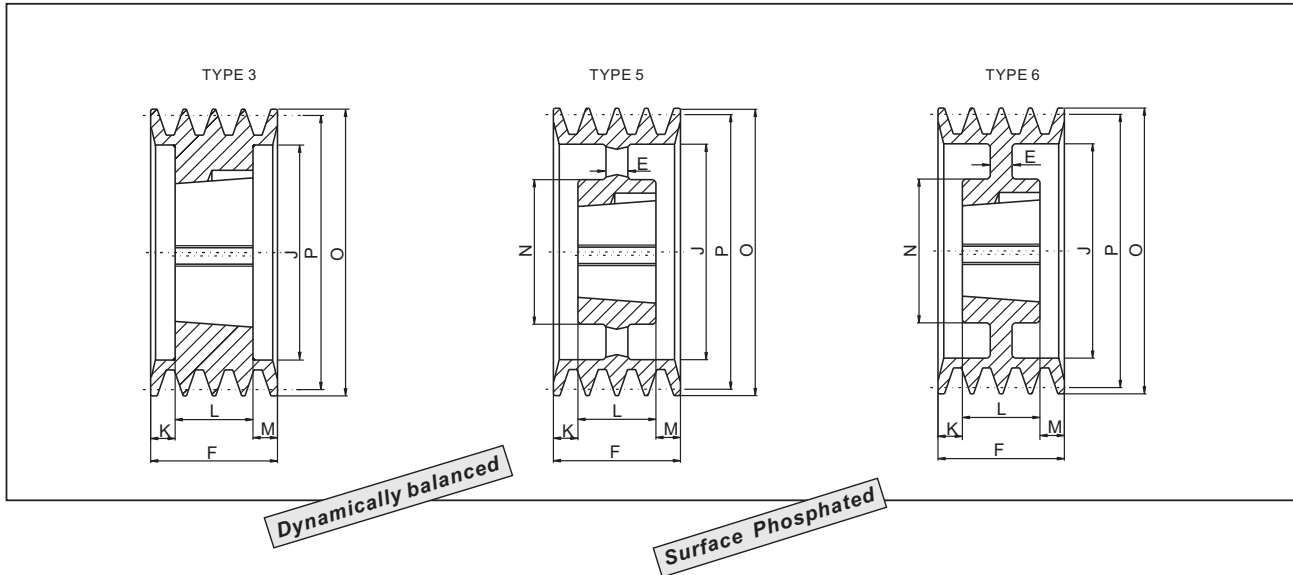
SPZ/6

Type	Grooves	P	O	Type	Bush	Max Bore	E	F	J	K	L	M	N
SPZ 90-06	6	90	94	8	1610	42	-	76	62	51	25	-	-
SPZ 95-06	6	95	99	8	1610	42	-	76	67	51	25	-	-
SPZ 100-06	6	100	104	8	2012	50	-	76	72	44	32	-	-
SPZ 106-06	6	106	110	8	2012	50	-	76	78	44	32	-	-
SPZ 112-06	6	112	116	8	2012	50	-	76	84	44	32	-	-
SPZ 118-06	6	118	122	8	2517	60	-	76	90	31	45	-	-
SPZ 125-06	6	125	129	8	2517	60	-	76	97	31	45	-	-
SPZ 132-06	6	132	136	8	2517	60	-	76	104	31	45	-	-
SPZ 140-06	6	140	144	2	2517	60	-	76	112	-	45	31	-
SPZ 150-06	6	150	154	2	2517	60	-	76	122	-	45	31	-
SPZ 160-06	6	160	164	2	2517	60	-	76	132	-	45	31	-
SPZ 170-06	6	170	174	2	2517	60	-	76	142	-	45	31	-
SPZ 180-06	6	180	184	6	2517	60	-	76	152	-	45	31	-
SPZ 190-06	6	190	194	6	2517	60	10	76	162	15.5	45	15.5	120
SPZ 200-06	6	200	204	6	2517	60	10	76	172	15.5	45	15.5	120
SPZ 224-06	6	224	228	6	2517	60	10	76	196	15.5	45	15.5	120
SPZ 250-06	6	250	254	6	2517	60	-	76	222	15.5	45	15.5	120
SPZ 280-06	6	280	284	5	2517	60	-	76	252	15.5	45	15.5	120
SPZ 315-06	6	315	319	5	2517	60	-	76	287	15.5	45	15.5	120
SPZ 355-06	6	355	359	5	2517	60	-	76	327	15.5	45	15.5	120
SPZ 400-06	6	400	404	5	3030	75	-	76	372	-	76	-	145
SPZ 450-06	6	450	454	5	3030	75	-	76	422	-	76	-	145
SPZ 500-06	6	500	504	5	3030	75	-	76	472	-	76	-	145
SPZ 630-06	6	630	634	4	3535	90	-	76	602	6.5	89	6.5	170
SPZ 800-06	6	800	804	4	3535	90	-	76	772	6.5	89	6.5	170

6 * Diagram & Dimension will be change without prior notice.*
* Data stated above is for reference only.*

V-Belt Pulleys For Taper Bushes

SPZ/8



* Diagram & Dimension will be change without prior notice.*
* Data stated above is for reference only.*

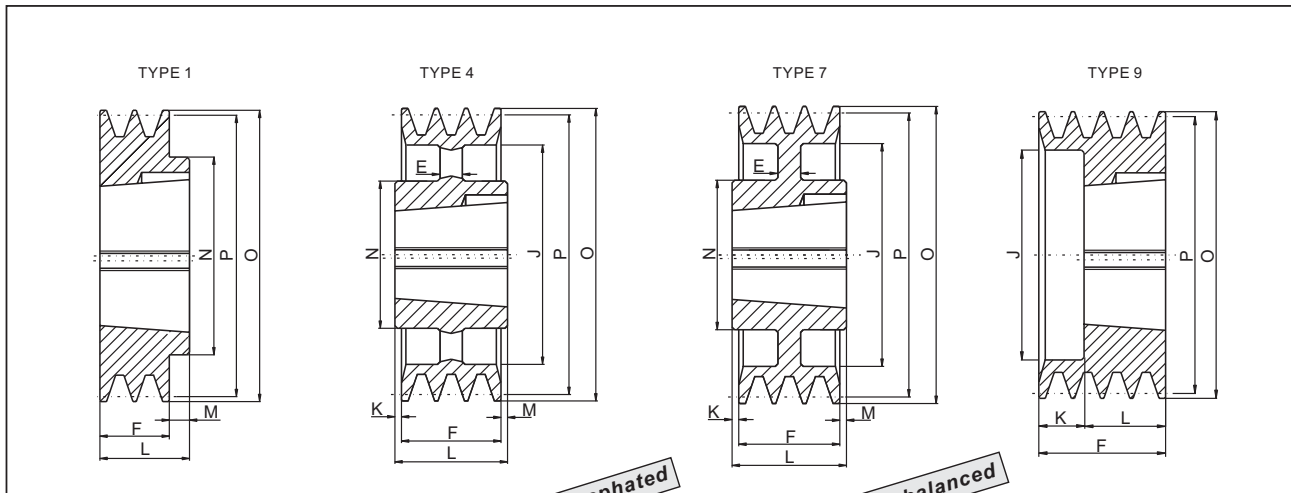
SPZ/8

CLOSE GRAIN CAST IRON

Type	Grooves	P	O	Type	Bush	Max Bore	E	F	J	K	L	M	N
SPZ 140-08	8	140	144	3	2517	60	-	100	112	27.5	45	27.5	-
SPZ 150-08	8	150	154	3	2517	60	-	100	122	27.5	45	27.5	-
SPZ 160-08	8	160	164	3	2517	60	-	100	132	27.5	45	27.5	-
SPZ 180-08	8	180	184	3	2517	60	-	100	152	27.5	45	27.5	-
SPZ 200-08	8	200	204	3	3020	75	-	100	172	24.5	51	24.5	-
SPZ 224-08	8	224	228	6	3020	75	-	100	196	24.5	51	24.5	-
SPZ 250-08	8	250	254	6	3020	75	-	100	222	24.5	51	24.5	145
SPZ 280-08	8	280	284	6	3020	75	-	100	252	24.5	51	24.5	145
SPZ 355-08	8	355	359	5	3030	75	-	100	326	12	76	12	145
SPZ 400-08	8	400	404	5	3030	75	-	100	372	12	76	12	145
SPZ 450-08	8	450	454	5	3535	90	-	100	422	5.5	89	5.5	170

V-Belt Pulleys For Taper Bushes

SPA/1



Surface Phosphated

Dynamically balanced

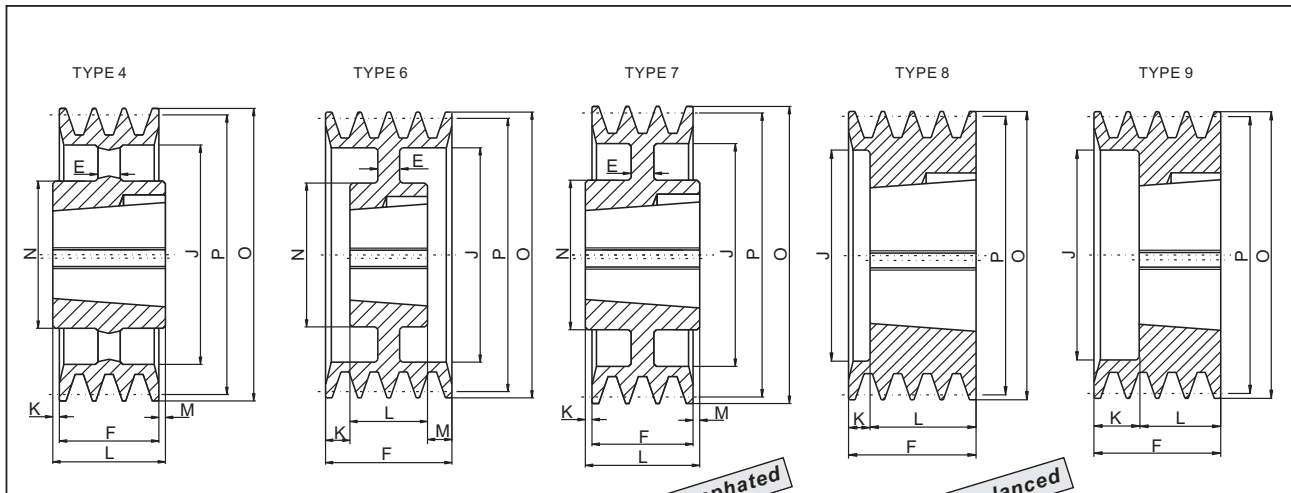
SPA/1

Type	Grooves	P	O	Type	Bush	Max Bore	E	F	J	K	L	M	N
SPA 63-01	1	63	68.5	9	1108	28	-	40	30	18	22	-	-
SPA 67-01	1	67	72.5	1	1108	28	-	20	38	-	22	2	62
SPA 71-01	1	71	76.5	1	1108	28	-	20	-	-	22	2	62
SPA 75-01	1	75	80.5	1	1108	28	-	20	-	-	22	2	62
SPA 80-01	1	80	85.5	1	1210	32	-	20	-	-	25	5	75
SPA 85-01	1	85	90.5	1	1210	32	-	20	-	-	25	5	75
SPA 90-01	1	90	95.5	1	1210	32	-	20	-	-	25	5	75
SPA 95-01	1	95	100.5	1	1210	32	-	20	-	-	25	5	75
SPA 100-01	1	100	105.5	1	1610	42	-	20	-	-	25	5	80
SPA 106-01	1	106	111.5	1	1610	42	-	20	-	-	25	5	80
SPA 112-01	1	112	117.5	1	1610	42	-	20	-	-	25	5	80
SPA 118-01	1	118	123.5	1	1610	42	-	20	-	-	25	5	80
SPA 125-01	1	125	130.5	1	1610	42	-	20	-	-	25	5	80
SPA 132-01	1	132	137.5	1	1610	42	-	20	-	-	25	5	80
SPA 140-01	1	140	145.5	7	1610	42	-	20	110	-	25	5	80
SPA 150-01	1	150	155.5	7	1610	42	-	20	118	-	25	5	80
SPA 160-01	1	160	165.5	7	1610	42	-	20	128	-	25	5	80
SPA 170-01	1	170	175.5	7	1610	42	-	20	138	-	25	5	80
SPA 180-01	1	180	185.5	7	1610	42	-	20	148	-	25	5	80
SPA 190-01	1	190	195.5	7	1610	42	-	20	158	-	25	5	80
SPA 200-01	1	200	205.5	7	2012	50	10	20	165	-	32	12	100
SPA 212-01	1	212	217.5	7	2012	50	10	20	177	-	32	12	100
SPA 224-01	1	224	229.5	4	2012	50	10	20	189	-	32	12	100
SPA 250-01	1	250	255.5	4	2012	50	10	20	215	-	32	12	100
SPA 280-01	1	280	285.5	4	2012	50	10	20	245	-	32	12	100
SPA 315-01	1	315	320.5	4	2012	50	-	20	280	-	32	12	100
SPA 355-01	1	355	360.5	4	2012	50	-	20	320	-	32	12	100
SPA 400-01	1	400	405.5	4	2012	50	-	20	365	-	32	12	100
SPA 450-01	1	450	455.5	4	2012	50	-	20	415	-	32	12	100
SPA 500-01	1	500	505.5	4	2517	60	-	20	465	-	45	25	120
SPA 630-01	1	630	635.5	4	2517	60	-	20	595	-	45	25	120

8 * Diagram & Dimension will be change without prior notice.*
* Data stated above is for reference only.*

V-Belt Pulleys For Taper Bushes

SPA/2



Surface Phosphated

Dynamically balanced

SPA/2

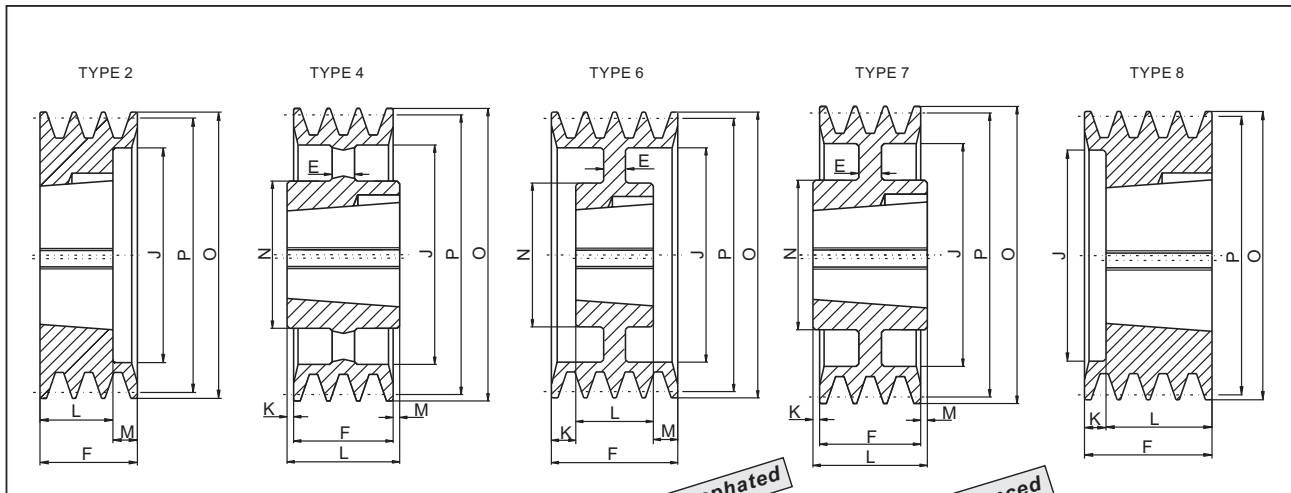
Type	Grooves	P	O	Type	Bush	Max Bore	E	F	J	K	L	M	N
SPA 63-02	2	63	68.5	9	1108	28	-	55	36	33	22	-	-
SPA 67-02	2	67	72.5	8	1108	28	-	35	37	13	22	-	-
SPA 71-02	2	71	76.5	8	1108	28	-	35	40	13	22	-	-
SPA 75-02	2	75	80.5	8	1108	28	-	35	44	10	22	-	-
SPA 80-02	2	80	85.5	8	1210	32	-	35	47	10	25	-	-
SPA 85-02	2	85	90.5	8	1210	32	-	35	50	10	25	-	-
SPA 90-02	2	90	95.5	8	1610	42	-	35	60	10	25	-	-
SPA 95-02	2	95	100.5	8	1610	42	-	35	64	10	25	-	-
SPA 100-02	2	100	105.5	8	1610	42	-	35	70	10	25	-	-
SPA 106-02	2	106	111.5	8	1610	42	-	35	76	10	25	-	-
SPA 112-02	2	112	117.5	8	1610	42	-	35	80	10	25	-	-
SPA 118-02	2	118	123.5	8	1610	42	-	35	86	10	25	-	-
SPA 125-02	2	125	130.5	8	1610	42	-	35	90	10	25	-	-
SPA 132-02	2	132	137.5	8	2012	50	-	35	98	3	32	-	-
SPA 140-02	2	140	145.5	8	2012	50	-	35	106	3	32	-	-
SPA 150-02	2	150	155.5	8	2012	50	-	35	116	3	32	-	-
SPA 160-02	2	160	165.5	8	2012	50	-	35	125	3	32	-	-
SPA 170-02	2	170	175.5	6	2012	50	-	35	135	3	32	-	-
SPA 180-02	2	180	185.5	6	2012	50	15	35	148	1,5	32	1,5	100
SPA 190-02	2	190	195.5	6	2012	50	15	35	158	1,5	32	1,5	100
SPA 200-02	2	200	205.5	7	2517	60	15	35	165	5	45	5	120
SPA 212-02	2	212	217.5	7	2517	60	15	35	177	5	45	5	120
SPA 224-02	2	224	229.5	7	2517	60	15	35	189	5	45	5	120
SPA 250-02	2	250	255.5	4	2517	60	20	35	215	5	45	5	120
SPA 280-02	2	280	285.5	4	2517	60	20	35	245	-	45	10	120
SPA 315-02	2	315	320.5	4	2517	60	-	35	280	-	45	10	120
SPA 355-02	2	355	360.5	4	2517	60	-	35	320	-	45	10	120
SPA 400-02	2	400	405.5	4	2517	60	-	35	365	-	45	10	120
SPA 450-02	2	450	455.5	4	2517	60	-	35	405	-	45	10	120
SPA 500-02	2	500	505.5	4	2517	60	-	35	465	-	45	10	120
SPA 630-02	2	630	635.5	4	3020	75	-	35	595	-	51	16	145

* Diagram & Dimension will be change without prior notice.*

* Data stated above is for reference only.*

V-Belt Pulleys For Taper Bushes

SPA/3



Surface Phosphated

Dynamically balanced

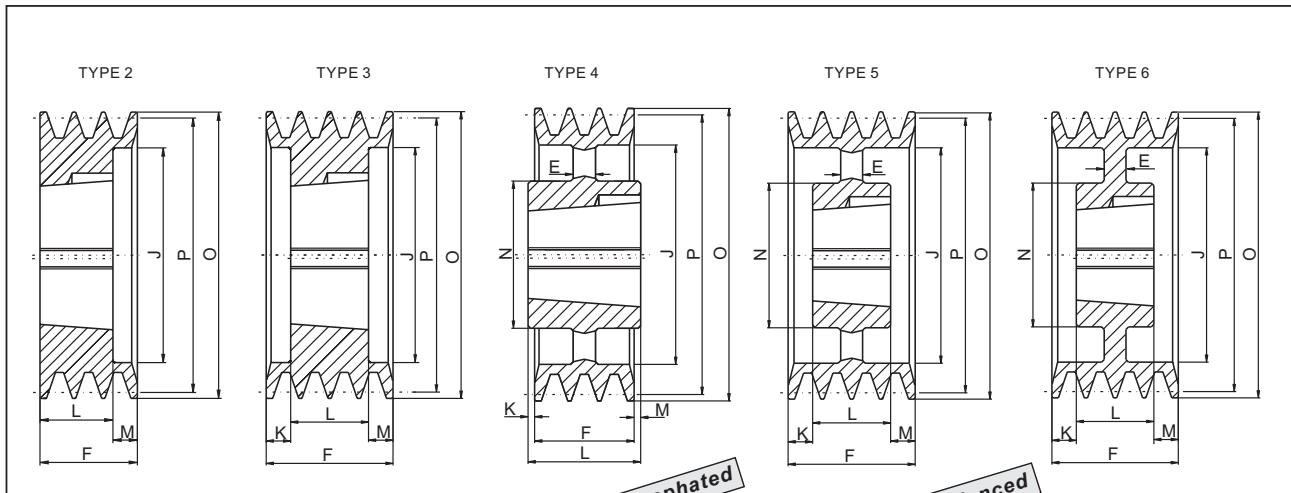
SPA/3

Type	Grooves	P	O	Type	Bush	Max Bore	E	F	J	K	L	M	N
SPA 71-03	3	71	76.5	8	1108	28	-	50	40	28	22	-	-
SPA 75-03	3	75	80.5	8	1108	32	-	50	44	25	25	-	-
SPA 80-03	3	80	85.5	8	1210	32	-	50	47	25	25	-	-
SPA 85-03	3	85	90.5	8	1210	32	-	50	50	25	25	-	-
SPA 90-03	3	90	95.5	8	1610	42	-	50	60	25	25	-	-
SPA 95-03	3	95	100.5	8	1610	42	-	50	64	25	25	-	-
SPA 100-03	3	100	105.5	2	1610	42	-	50	70	-	25	25	-
SPA 106-03	3	106	111.5	2	1610	42	-	50	76	-	25	25	-
SPA 112-03	3	112	117.5	8	2012	50	-	50	83	18	32	-	-
SPA 118-03	3	118	123.5	2	2012	50	-	50	86	-	32	18	-
SPA 125-03	3	125	130.5	2	2012	50	-	50	92	-	32	18	-
SPA 132-03	3	132	137.5	2	2012	50	-	50	98	-	32	18	-
SPA 140-03	3	140	145.5	8	2517	60	-	50	106	5	45	-	-
SPA 150-03	3	150	155.5	8	2517	60	-	50	116	5	45	-	-
SPA 160-03	3	160	165.5	8	2517	60	-	50	126	5	45	-	-
SPA 170-03	3	170	175.5	8	2517	60	-	50	138	5	45	-	-
SPA 180-03	3	180	185.5	8	2517	60	-	50	146	5	45	-	-
SPA 190-03	3	190	195.5	6	2517	60	-	50	158	5	45	-	-
SPA 200-03	3	200	205.5	6	2517	60	20	50	165	2.5	45	2.5	120
SPA 212-03	3	212	217.5	6	2517	60	20	50	177	2.5	45	2.5	120
SPA 224-03	3	224	229.5	6	2517	60	20	50	189	2.5	45	2.5	120
SPA 250-03	3	250	255.5	5	2517	60	20	50	215	2.5	45	2.5	120
SPA 280-03	3	280	285.5	5	2517	60	20	50	245	2.5	45	2.5	120
SPA 315-03	3	315	320.5	4	3020	75	25	50	280	0.5	51	0.5	145
SPA 355-03	3	355	360.5	4	3020	75	-	50	320	0.5	51	0.5	145
SPA 400-03	3	400	405.5	4	3020	75	-	50	365	0.5	51	0.5	145
SPA 450-03	3	450	455.5	4	3020	75	-	50	415	0.5	51	0.5	145
SPA 500-03	3	500	505.5	4	3020	75	-	50	465	0.5	51	0.5	145
SPA 560-03	3	560	565.5	4	3020	75	-	50	525	0.5	51	0.5	145
SPA 630-03	3	630	635.5	4	3020	75	-	50	595	0.5	51	0.5	145
SPA 800-03	3	800	805.5	4	3535	90	-	50	765	19.5	89	19.5	170
SPA 1000-03	3	1000	1005.5	4	3535	90	-	50	965	19.5	89	19.5	170

10 * Diagram & Dimension will be change without prior notice.*
* Data stated above is for reference only.*

V-Belt Pulleys For Taper Bushes

SPA/4



Surface Phosphated

Dynamically balanced

SPA/4

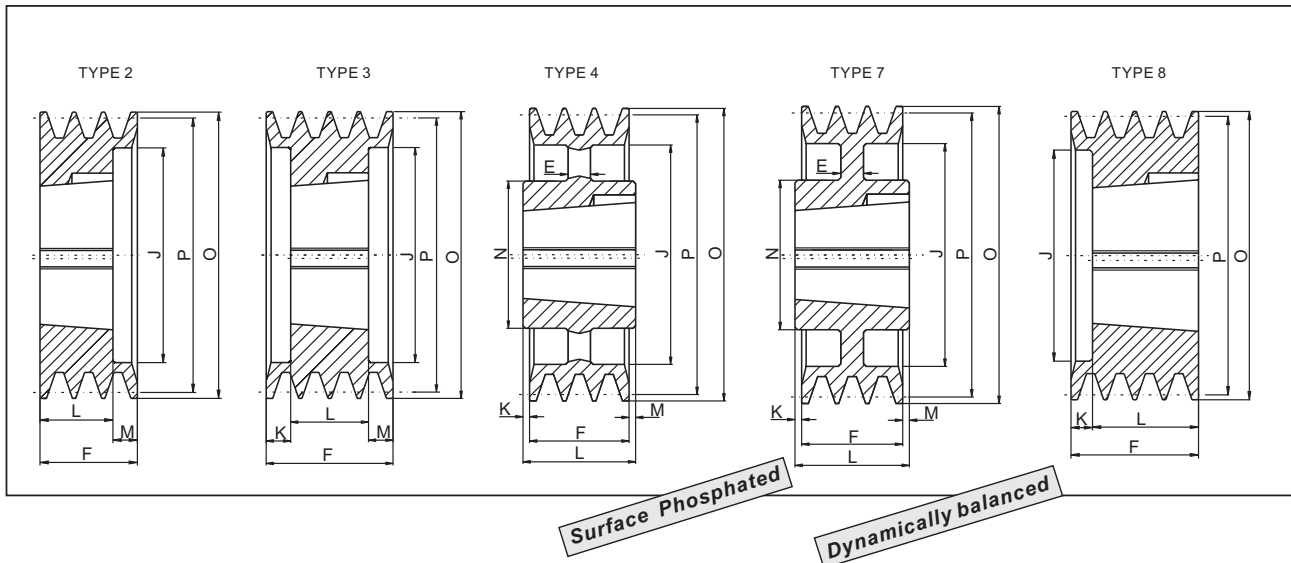
Type	Grooves	P	O	Type	Bush	Max Bore	E	F	J	K	L	M	N
SPA 90-04	4	90	95.5	3	1615	42	-	65	64	13.5	38	13.5	-
SPA 95-04	4	95	100.5	3	1615	42	-	65	64	13.5	38	13.5	-
SPA 100-04	4	100	105.5	2	1615	42	-	65	70	-	38	27	-
SPA 106-04	4	106	111.5	8	2012	50	-	65	76	33	32	-	-
SPA 112-04	4	112	117.5	8	2012	50	-	65	80	33	32	-	-
SPA 118-04	4	118	123.5	2	2012	50	-	65	86	-	32	33	-
SPA 125-04	4	125	130.5	2	2012	50	-	65	92	-	32	33	-
SPA 132-04	4	132	137.5	2	2517	60	-	65	98	-	45	20	-
SPA 140-04	4	140	145.5	2	2517	60	-	65	106	-	45	20	-
SPA 150-04	4	150	155.5	2	2517	60	-	65	116	-	45	20	-
SPA 160-04	4	160	165.5	2	2517	60	-	65	126	-	45	20	-
SPA 170-04	4	170	175.5	2	2517	60	-	65	138	-	45	20	-
SPA 180-04	4	180	185.5	2	2517	60	-	65	146	-	45	20	-
SPA 190-04	4	190	195.5	6	2517	60	-	65	158	-	45	20	-
SPA 200-04	4	200	205.5	2	3020	75	-	65	165	-	51	14	-
SPA 212-04	4	212	217.5	2	3020	75	-	65	177	-	51	14	-
SPA 224-04	4	224	229.5	6	3020	75	-	65	189	-	51	14	-
SPA 250-04	4	250	255.5	6	3020	75	10	65	215	7	51	7	145
SPA 280-04	4	280	285.5	6	3020	75	10	65	245	7	51	7	145
SPA 315-04	4	315	320.5	6	3020	75	10	65	280	7	51	7	145
SPA 355-04	4	355	360.5	5	3020	75	-	65	320	7	51	7	145
SPA 400-04	4	400	405.5	5	3020	75	-	65	365	7	51	7	145
SPA 450-04	4	450	455.5	5	3020	75	-	65	415	7	51	7	145
SPA 500-04	4	500	505.5	5	3020	75	-	65	465	7	51	7	145
SPA 560-04	4	560	565.5	4	3535	90	-	65	525	12	89	12	170
SPA 630-04	4	630	635.5	4	3535	90	-	65	595	12	89	12	170
SPA 800-04	4	800	805.5	4	3535	90	-	65	765	12	89	12	170
SPA 1000-04	4	1000	1005.5	4	4040	90	-	65	965	18.5	102	18.5	200

* Diagram & Dimension will be change without prior notice.*

* Data stated above is for reference only.*

V-Belt Pulleys For Taper Bushes

SPA/5



SPA/5

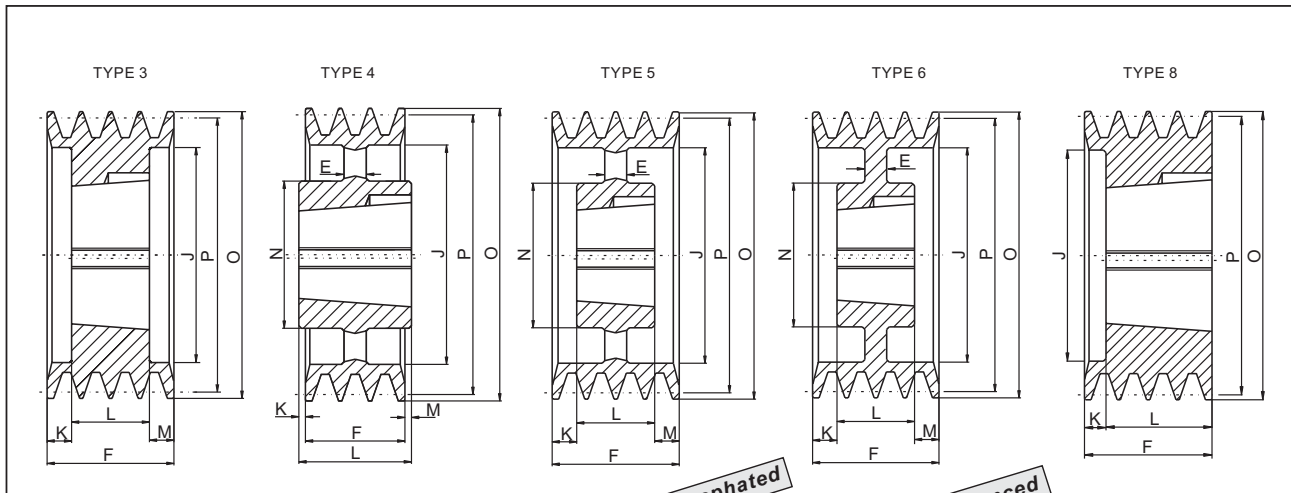
Type	Grooves	P	O	Type	Bush	Max Bore	E	F	J	K	L	M	N
SPA 100-05	5	100	105.5	2	1615	42	-	80	70	-	38	42	-
SPA 106-05	5	106	111.5	8	2012	50	-	80	76	48	32	-	-
SPA 112-05	5	112	117.5	8	2012	50	-	80	80	48	32	-	-
SPA 118-05	5	118	123.5	2	2012	50	-	80	86	-	32	48	-
SPA 125-05	5	125	130.5	3	2012	50	-	80	92	24	32	24	-
SPA 132-05	5	132	137.5	3	2517	60	-	80	98	17.5	45	17.5	-
SPA 140-05	5	140	145.5	3	2517	60	-	80	106	17.5	45	17.5	-
SPA 150-05	5	150	155.5	3	2517	60	-	80	116	17.5	45	17.5	-
SPA 160-05	5	160	165.5	3	2517	60	-	80	126	17.5	45	17.5	-
SPA 170-05	5	170	175.5	3	2517	60	-	80	146	17.5	45	17.5	-
SPA 180-05	5	180	185.5	3	3020	75	-	80	146	14.5	51	14.5	-
SPA 190-05	5	190	195.5	3	3020	75	-	80	156	14.5	51	14.5	-
SPA 200-05	5	200	205.5	3	3020	75	-	80	165	14.5	51	14.5	-
SPA 212-05	5	212	217.5	2	3020	75	-	80	177	-	51	29	-
SPA 224-05	5	224	229.5	6	3020	75	-	80	189	-	51	29	-
SPA 250-05	5	250	255.5	6	3020	75	10	80	215	14.5	51	14.5	150
SPA 280-05	5	280	285.5	7	3535	90	10	80	245	4.5	89	4.5	170
SPA 315-05	5	315	320.5	4	3535	90	12	80	280	4.5	89	4.5	170
SPA 355-05	5	355	360.5	4	3535	90	-	80	320	4.5	89	4.5	170
SPA 400-05	5	400	405.5	4	3535	90	-	80	365	4.5	89	4.5	170
SPA 450-05	5	450	455.5	4	3535	90	-	80	415	4.5	89	4.5	170
SPA 500-05	5	500	505.5	4	3535	90	-	80	465	4.5	89	4.5	170
SPA 560-05	5	560	565.5	4	3535	90	-	80	525	4.5	89	4.5	170
SPA 630-05	5	630	635.5	4	3535	90	-	80	595	4.5	89	4.5	170
SPA 800-05	5	800	805.5	4	4040	100	-	80	765	11	102	11	200
SPA 1000-05	5	1000	1005.5	4	4545	110	-	80	965	17	114	17	225

* Diagram & Dimension will be change without prior notice.*

* Data stated above is for reference only.*

V-Belt Pulleys For Taper Bushes

SPA/6



Surface Phosphated

Dynamically balanced

SPA/6

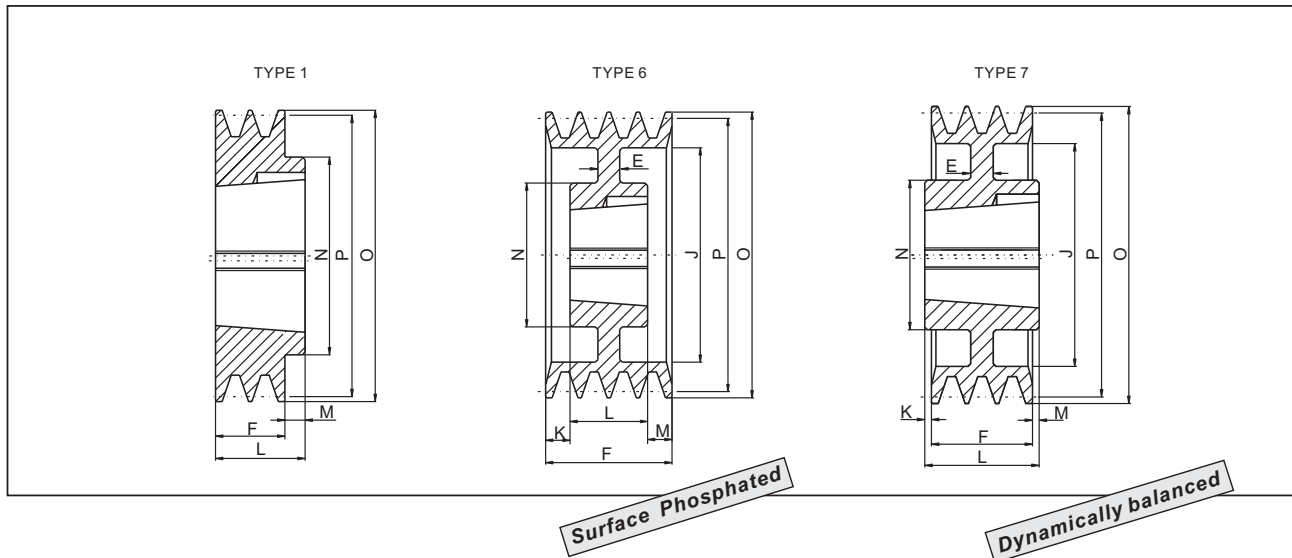
Type	Grooves	P	O	Type	Bush	Max Bore	E	F	J	K	L	M	N
SPA100-06	6	100	105,5	3	1615	42	-	95	70	28.5	38	28.5	-
SPA106-06	6	106	111,5	8	2012	50	-	95	76	63	32	-	-
SPA112-06	6	112	117,5	8	2012	50	-	95	80	63	32	-	-
SPA118-06	6	118	123,5	8	2012	50	-	95	86	63	32	-	-
SPA125-06	6	125	130,5	3	2012	50	-	95	92	31.5	32	31.5	-
SPA132-06	6	132	137,5	3	2517	60	-	95	98	25	45	25	-
SPA140-06	6	140	145,5	3	2517	60	-	95	106	25	45	25	-
SPA150-06	6	150	155,5	3	2517	60	-	95	116	25	45	25	-
SPA160-06	6	160	165,5	3	2517	60	-	95	126	25	45	25	-
SPA180-06	6	180	185,5	3	3020	75	-	95	146	22	51	22	-
SPA200-06	6	200	205,5	3	3020	75	-	95	165	22	51	22	-
SPA224-06	6	224	229,5	6	3020	75	-	95	189	22	51	22	-
SPA250-06	6	250	255,5	6	3020	75	20	95	215	22	51	22	150
SPA280-06	6	280	285,5	6	3535	90	25	95	245	3	89	3	170
SPA315-06	6	315	320,5	6	3535	90	25	95	280	3	89	3	170
SPA355-06	6	355	360,5	5	3535	90	-	95	320	3	89	3	170
SPA400-06	6	400	405,5	5	3535	90	-	95	365	3	89	3	170
SPA450-06	6	450	455,5	5	3535	90	-	95	415	3	89	3	170
SPA500-06	6	500	505,5	5	3535	90	-	95	465	3	89	3	170
SPA560-06	6	560	565,5	5	3535	90	-	95	525	3	89	3	170
SPA630-06	6	630	635,5	4	4040	100	-	95	595	3.5	102	3.5	200
SPA800-06	6	800	805,5	4	4040	100	-	95	765	3.5	102	3.5	200
SPA1000-06	6	1000	1005,5	4	4545	110	-	95	965	9.5	114	9.5	225

* Diagram & Dimension will be change without prior notice.*

* Data stated above is for reference only.*

V-Belt Pulleys For Taper Bushes

SPB/1



SPB/1

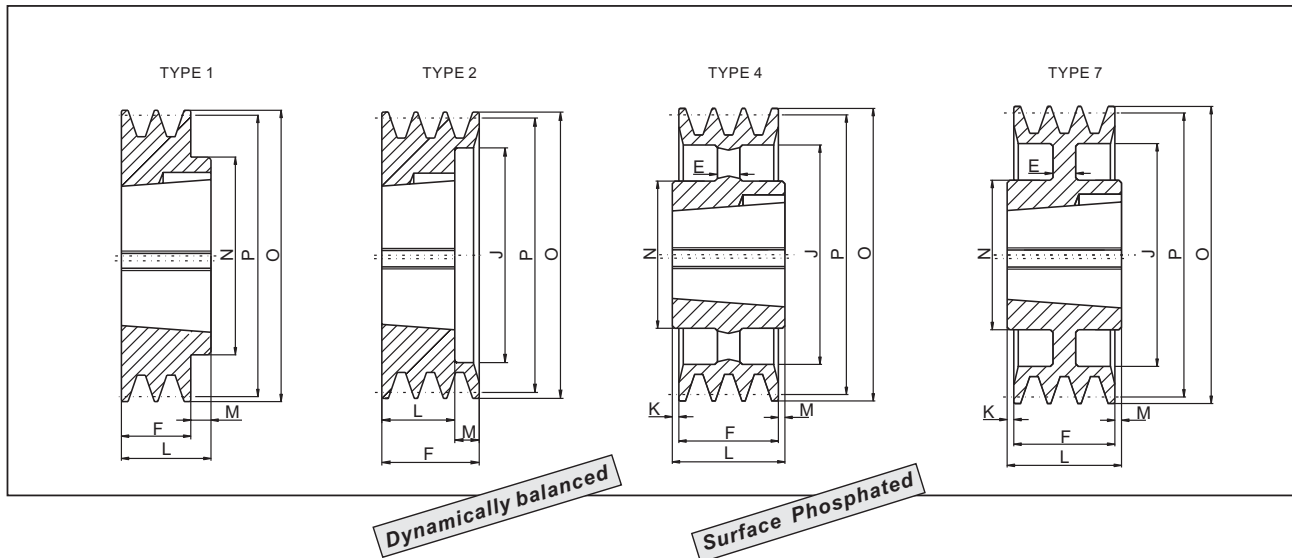
Type	Grooves	P	O	Type	Bush	Max Bore	E	F	J	K	L	M	N
SPB 100-01	1	100	107	1	1610	42	-	25	-	-	25	-	-
SPB 106-01	1	106	113	1	1610	42	-	25	-	-	25	-	-
SPB 112-01	1	112	119	1	1610	42	-	25	-	-	25	-	-
SPB 118-01	1	118	125	1	1610	42	-	25	-	-	25	-	-
SPB 125-01	1	125	132	1	1610	42	-	25	-	-	25	-	-
SPB 132-01	1	132	139	1	1610	42	-	25	-	-	25	-	-
SPB 140-01	1	140	147	1	1610	42	-	25	-	-	25	-	-
SPB 150-01	1	150	157	6	1610	42	-	25	111	-	25	-	-
SPB 160-01	1	160	167	6	1610	42	-	25	119	-	25	-	-
SPB 170-01	1	170	177	6	1610	42	-	25	129	-	25	-	-
SPB 180-01	1	180	187	6	1610	42	10	25	139	-	25	-	80
SPB 190-01	1	190	197	7	2012	50	10	25	149	3.5	32	3.5	100
SPB 200-01	1	200	207	7	2012	50	10	25	159	3.5	32	3.5	100
SPB 212-01	1	212	219	7	2012	50	10	25	171	3.5	32	3.5	100
SPB 224-01	1	224	231	7	2012	50	10	25	183	3.5	32	3.5	100
SPB 236-01	1	236	243	7	2012	50	10	25	195	3.5	32	3.5	100
SPB 250-01	1	250	257	7	2012	50	10	25	209	3.5	32	3.5	100
SPB 280-01	1	280	287	4	2012	50	10	25	239	3.5	32	3.5	100
SPB 300-01	1	300	307	4	2012	50	10	25	259	3.5	32	3.5	100
SPB 315-01	1	315	322	4	2012	50	10	25	274	3.5	32	3.5	100

* Diagram & Dimension will be change without prior notice.*

* Data stated above is for reference only.*

V-Belt Pulleys For Taper Bushes

SPB/2



SPB/2

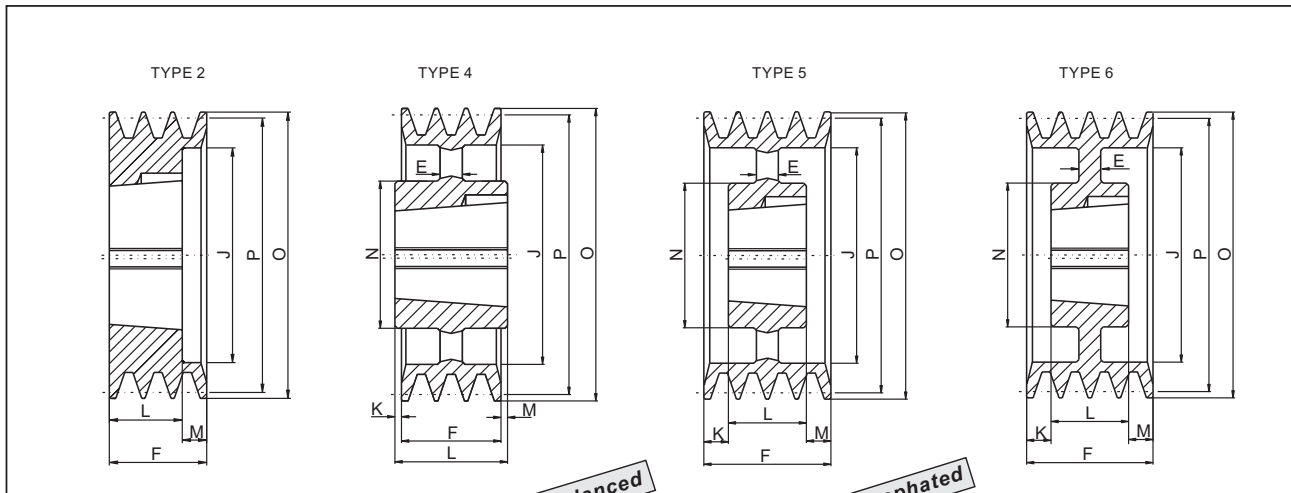
Type	Grooves	P	O	Type	Bush	Max Bore	E	F	J	K	L	M	N
SPB 100-02	2	100	107	2	1610	42	-	44	64	19	25	19	-
SPB 106-02	2	106	113	2	1610	42	-	44	67	-	25	19	-
SPB 112-02	2	112	119	2	1610	42	-	44	72	-	25	19	-
SPB 118-02	2	118	125	2	1610	42	-	44	78	-	25	19	-
SPB 125-02	2	125	132	2	2012	50	-	44	84	-	32	12	-
SPB 132-02	2	132	139	2	2012	50	-	44	91	-	32	12	-
SPB 140-02	2	140	147	2	2012	50	-	44	99	-	32	12	-
SPB 150-02	2	150	157	2	2012	50	-	44	109	-	32	12	-
SPB 160-02	2	160	167	2	2012	50	-	44	119	-	32	12	-
SPB 170-02	2	170	177	2	2012	50	-	44	129	-	32	12	-
SPB 180-02	2	180	187	1	2517	60	-	44	-	-	45	1	120
SPB 190-02	2	190	197	1	2517	60	-	44	-	-	45	1	120
SPB 200-02	2	200	207	7	2517	60	-	44	159	-	45	1	120
SPB 212-02	2	212	219	7	2517	60	10	44	171	-	45	1	120
SPB 224-02	2	224	231	7	2517	60	10	44	183	1	45	-	120
SPB 236-02	2	236	243	7	2517	60	10	44	195	1	45	-	120
SPB 250-02	2	250	257	7	2517	60	10	44	209	1	45	-	120
SPB 280-02	2	280	287	4	2517	60	12	44	239	1	45	-	120
SPB 300-02	2	300	307	4	2517	60	12	44	259	1	45	-	120
SPB 315-02	2	315	322	4	2517	60	12	44	274	1	45	-	120
SPB 335-02	2	335	342	4	2517	60	12	44	294	1	45	-	120
SPB 355-02	2	355	362	4	3020	75	-	44	314	3.5	51	3.5	145
SPB 400-02	2	400	407	4	3020	75	-	44	359	3.5	51	3.5	145
SPB 450-02	2	450	457	4	3020	75	-	44	407	3.5	51	3.5	145
SPB 500-02	2	500	507	4	3020	75	-	44	457	3.5	51	3.5	145
SPB 560-02	2	560	567	4	3030	75	-	44	517	4	76	28	145
SPB 630-02	2	630	637	4	3030	75	-	44	587	4	76	28	145

* Diagram & Dimension will be change without prior notice.*

* Data stated above is for reference only.*

V-Belt Pulleys For Taper Bushes

SPB/3



SPB/3

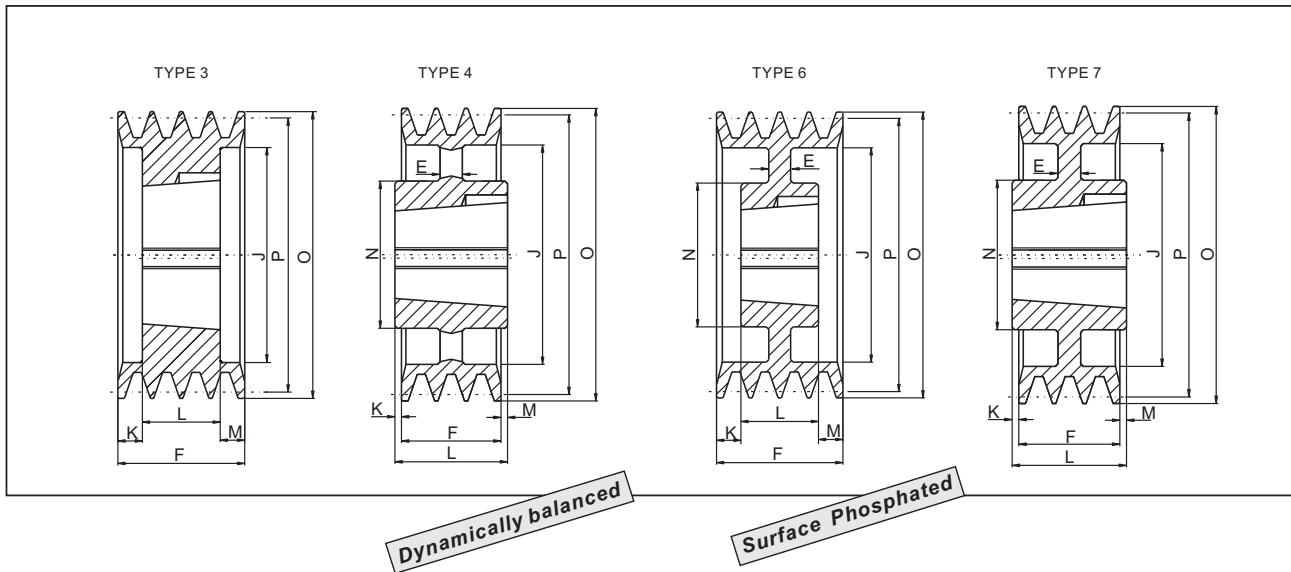
Type	Grooves	P	O	Type	Bush	Max Bore	E	F	J	K	L	M	N
SPB 100-03	3	100	107	2	1610	42	-	63	64	-	25	38	-
SPB 106-03	3	106	113	2	1610	42	-	63	67	-	25	38	-
SPB 112-03	3	112	119	2	1610	42	-	63	72	-	25	38	-
SPB 118-03	3	118	125	2	1610	42	-	63	78	-	25	38	-
SPB 125-03	3	125	132	2	2012	50	-	63	84	-	32	31	-
SPB 132-03	3	132	139	2	2012	50	-	63	91	-	32	31	-
SPB 140-03	3	140	147	2	2012	50	-	63	99	-	32	31	-
SPB 150-03	3	150	157	2	2517	60	-	63	109	-	45	18	-
SPB 160-03	3	160	167	2	2517	60	-	63	119	-	45	18	-
SPB 170-03	3	170	177	2	2517	60	-	63	129	-	45	18	-
SPB 180-03	3	180	187	2	2517	60	-	63	139	-	45	18	-
SPB 190-03	3	190	197	2	2517	60	-	63	149	-	45	18	-
SPB 200-03	3	200	207	2	2517	60	-	63	159	-	45	18	-
SPB 212-03	3	212	219	6	2517	60	12	63	171	-	45	18	120
SPB 224-03	3	224	231	6	2517	60	12	63	183	-	45	18	120
SPB 236-03	3	236	243	6	2517	60	12	63	195	-	45	18	120
SPB 250-03	3	250	257	6	3020	75	12	63	209	-	51	12	145
SPB 280-03	3	280	287	5	3020	75	13	63	239	6	51	6	145
SPB 300-03	3	300	307	5	3020	75	13	63	259	6	51	6	145
SPB 315-03	3	315	322	5	3020	75	13	63	274	6	51	6	145
SPB 335-03	3	335	342	5	3020	75	13	63	294	6	51	6	145
SPB 355-03	3	355	362	5	3020	75	-	63	314	6	51	6	145
SPB 400-03	3	400	407	4	3535	90	-	63	359	13	89	13	170
SPB 450-03	3	450	457	4	3535	90	-	63	407	-	89	26	170
SPB 500-03	3	500	507	4	3535	90	-	63	457	-	89	26	170
SPB 560-03	3	560	567	4	3535	90	-	63	517	-	89	26	170
SPB 630-03	3	630	637	4	3535	90	-	63	587	-	89	26	170
SPB 710-03	3	710	717	4	3535	90	-	63	664	4	89	22	170
SPB 800-03	3	800	807	4	3535	90	-	63	754	4	89	22	170
SPB 900-03	3	900	907	4	3535	90	-	63	854	4	89	22	170
SPB 1000-03	3	1000	1007	4	4040	100	-	63	954	6	102	33	200
SPB 1250-03	3	1250	1257	4	4040	100	-	63	1204	6	102	33	200

* Diagram & Dimension will be change without prior notice.*

* Data stated above is for reference only.*

V-Belt Pulleys For Taper Bushes

SPB/4



SPB/4

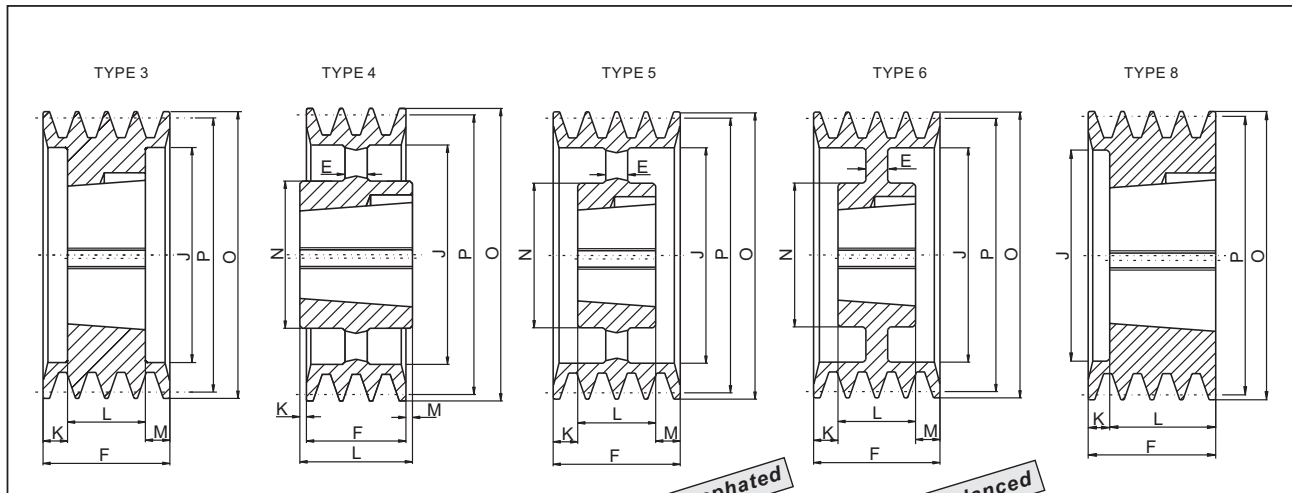
Type	Grooves	P	O	Type	Bush	Max Bore	E	F	J	K	L	M	N
SPB 125-04	4	125	132	3	2012	50	-	82	84	25	32	25	-
SPB 132-04	4	132	139	3	2012	50	-	82	91	25	32	25	-
SPB 140-04	4	140	147	3	2517	60	-	82	99	18.5	45	18.5	-
SPB 150-04	4	150	157	3	2517	60	-	82	109	18.5	45	18.5	-
SPB 160-04	4	160	167	3	2517	60	-	82	119	18.5	45	18.5	-
SPB 170-04	4	170	177	3	2517	60	-	82	129	18.5	45	18.5	-
SPB 180-04	4	180	187	3	2517	60	-	82	139	18.5	45	18.5	-
SPB 190-04	4	190	197	3	2517	60	-	82	149	18.5	45	18.5	-
SPB 200-04	4	200	207	3	3020	75	-	82	159	15.5	51	15.5	-
SPB 212-04	4	212	219	3	3020	75	-	82	171	15.5	51	15.5	-
SPB 224-04	4	224	231	6	3020	75	-	82	183	15.5	51	15.5	145
SPB 236-04	4	236	243	6	3020	75	-	82	195	15.5	51	15.5	145
SPB 250-04	4	250	257	6	3020	75	14	82	209	15.5	51	15.5	145
SPB 280-04	4	280	287	6	3020	75	16	82	239	15.5	51	15.5	145
SPB 300-04	4	300	307	6	3020	75	16	82	259	15.5	51	15.5	145
SPB 315-04	4	315	322	7	3535	90	16	82	274	3.5	89	3.5	170
SPB 335-04	4	335	342	7	3535	90	16	82	294	3.5	89	3.5	170
SPB 355-04	4	355	362	7	3535	90	16	82	314	3.5	89	3.5	170
SPB 400-04	4	400	407	4	3535	90	-	82	359	3.5	89	3.5	170
SPB 450-04	4	450	457	4	3535	90	-	82	407	-	89	7	170
SPB 500-04	4	500	507	4	3535	90	-	82	457	-	89	7	170
SPB 560-04	4	560	567	4	3535	90	-	82	517	-	89	7	170
SPB 630-04	4	630	637	4	3535	90	-	82	587	-	89	7	170
SPB 710-04	4	710	717	4	3535	90	-	82	664	3.5	89	3.5	170
SPB 800-04	4	800	807	4	4040	100	-	82	754	4	102	16	200
SPB 900-04	4	900	907	4	4040	100	-	82	854	4	102	16	200
SPB 1000-04	4	1000	1007	4	4040	100	-	82	954	4	102	16	200
SPB 1250-04	4	1250	1257	4	4545	110	-	82	1204	6	114	26	225

* Diagram & Dimension will be change without prior notice.*

* Data stated above is for reference only.*

V-Belt Pulleys For Taper Bushes

SPB/5



Surface Phosphated

Dynamically balanced

SPB/5

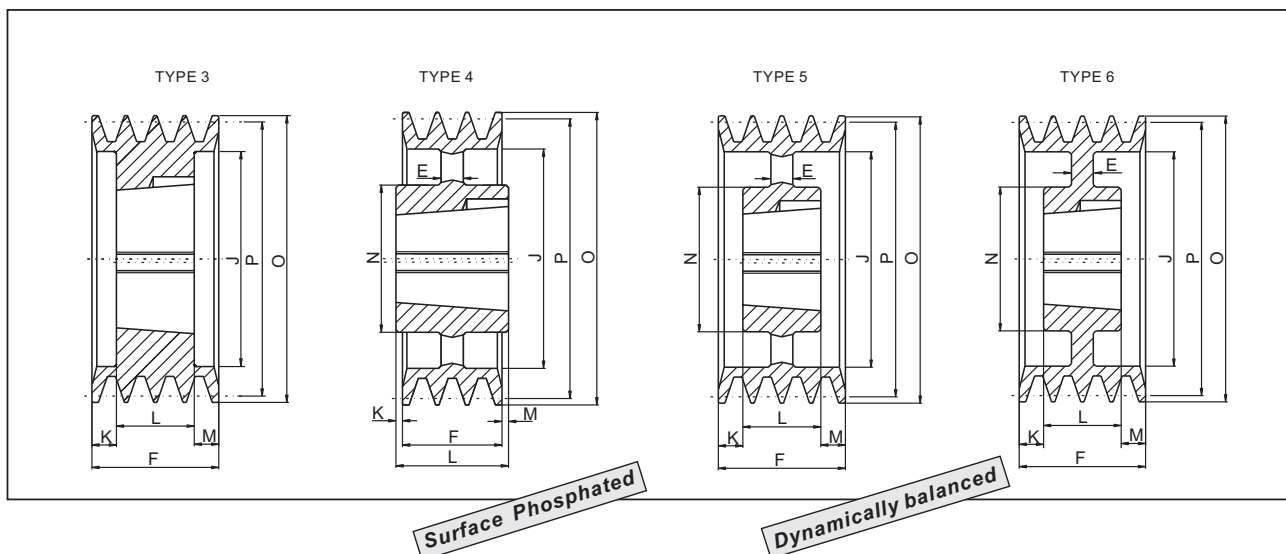
Type	Grooves	P	O	Type	Bush	Max Bore	E	F	J	K	L	M	N
SPB 125-05	5	125	132	8	2012	50	-	101	84	69	32	-	-
SPB 132-05	5	132	139	8	2517	60	-	101	91	56	45	-	-
SPB 140-05	5	140	147	3	2517	60	-	101	99	28	45	28	-
SPB 150-05	5	150	157	3	2517	60	-	101	109	28	45	28	-
SPB 160-05	5	160	167	3	2517	60	-	101	119	28	45	28	-
SPB 170-05	5	170	177	3	3020	75	-	101	129	25	51	25	-
SPB 180-05	5	180	187	3	3020	75	-	101	139	25	51	25	-
SPB 190-05	5	190	197	3	3020	75	-	101	149	25	51	25	-
SPB 200-05	5	200	207	3	3020	75	-	101	159	25	51	25	-
SPB 212-05	5	212	219	3	3020	75	-	101	171	25	51	25	-
SPB 224-05	5	224	231	3	3020	75	-	101	183	25	51	25	-
SPB 236-05	5	236	243	3	3535	90	-	101	195	6	89	6	-
SPB 250-05	5	250	257	3	3535	90	-	101	209	6	89	6	-
SPB 280-05	5	280	287	6	3535	90	18	101	239	6	89	6	170
SPB 300-05	5	300	307	6	3535	90	18	101	259	6	89	6	170
SPB 315-05	5	315	322	6	3535	90	18	101	274	6	89	6	170
SPB 335-05	5	335	342	6	3535	90	18	101	294	6	89	6	170
SPB 355-05	5	355	362	5	3535	90	-	101	314	6	89	6	170
SPB 400-05	5	400	407	5	3535	90	-	101	357	6	89	6	170
SPB 450-05	5	450	457	5	3535	90	-	101	407	-	89	12	170
SPB 500-05	5	500	507	5	3535	90	-	101	457	-	89	12	170
SPB 560-05	5	560	567	4	4040	100	-	101	517	-	102	1	200
SPB 630-05	5	630	637	4	4040	100	-	101	587	-	102	1	200
SPB 710-05	5	710	717	4	4040	100	-	101	664	0.5	102	0.5	200
SPB 800-05	5	800	807	4	4040	100	-	101	754	0.5	102	0.5	200
SPB 900-05	5	900	907	4	4545	110	-	101	854	6.5	114	6.5	225
SPB 1000-05	5	1000	1007	4	4545	110	-	101	954	6.5	114	6.5	225
SPB 1250-05	5	1250	1257	4	4545	110	-	101	1204	6.5	114	6.5	225

* Diagram & Dimension will be change without prior notice.*

* Data stated above is for reference only.*

V-Belt Pulleys For Taper Bushes

SPB/6



SPB/6

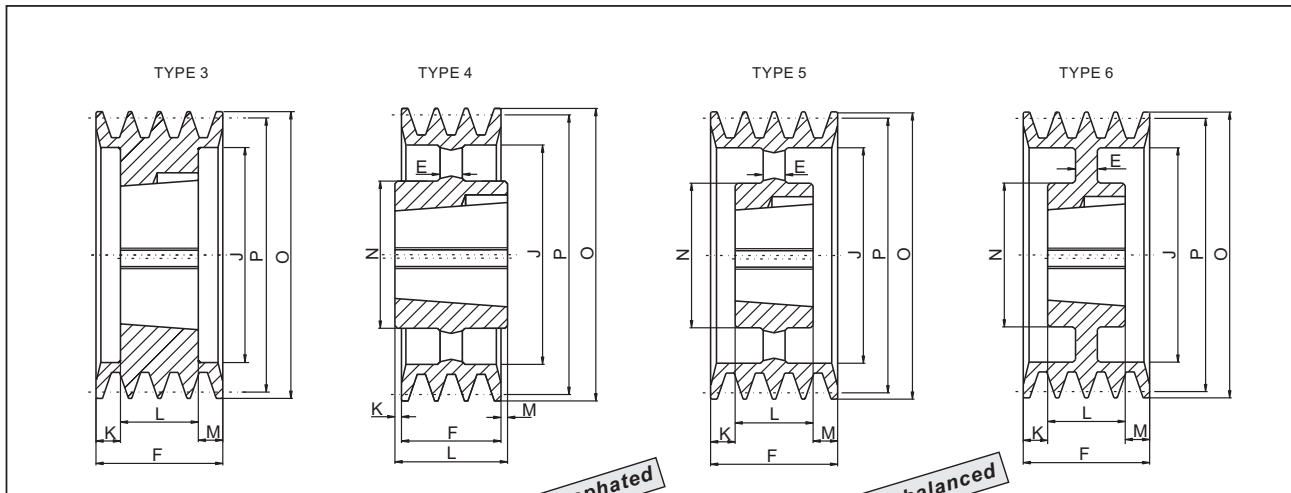
Type	Grooves	P	O	Type	Bush	Max Bore	E	F	J	K	L	M	N
SPB140-06	6	140	147	3	2517	60	-	120	99	37.5	45	37.5	-
SPB150-06	6	150	157	3	2517	60	-	120	109	37.5	45	37.5	-
SPB160-06	6	160	167	3	3020	75	-	120	119	34.5	51	34.5	-
SPB170-06	6	170	177	3	3020	75	-	120	129	34.5	51	34.5	-
SPB180-06	6	180	187	3	3020	75	-	120	139	34.5	51	34.5	-
SPB190-06	6	190	197	3	3020	75	-	120	149	34.5	51	34.5	-
SPB200-06	6	200	207	3	3020	75	-	120	159	34.5	51	34.5	-
SPB212-06	6	212	219	3	3535	90	-	120	171	15.5	89	15.5	-
SPB224-06	6	224	231	3	3535	90	-	120	183	15.5	89	15.5	-
SPB236-06	6	236	243	3	3535	90	-	120	195	15.5	89	15.5	-
SPB250-06	6	250	257	3	3535	90	-	120	209	15.5	89	15.5	-
SPB280-06	6	280	287	6	3535	90	18	120	239	15.5	89	15.5	170
SPB300-06	6	300	307	6	3535	90	18	120	259	15.5	89	15.5	170
SPB315-06	6	315	322	6	3535	90	18	120	274	15.5	89	15.5	170
SPB335-06	6	335	342	6	3535	90	18	120	294	15.5	89	15.5	170
SPB355-06	6	355	362	6	3535	90	18	120	314	15.5	89	15.5	170
SPB400-06	6	400	407	5	3535	90	-	120	357	15.5	89	15.5	170
SPB450-06	6	450	457	5	4040	100	-	120	407	-	102	18	200
SPB500-06	6	500	507	5	4040	100	-	120	457	-	102	18	200
SPB560-06	6	560	567	5	4040	100	-	120	517	-	102	18	200
SPB630-06	6	630	637	5	4040	100	-	120	587	-	102	18	200
SPB710-06	6	710	717	5	4040	100	-	120	664	9	102	9	200
SPB800-06	6	800	807	5	4545	110	-	120	754	3	114	3	225
SPB900-06	6	900	907	5	4545	110	-	120	854	3	114	3	225
SPB1000-06	6	1000	1007	5	4545	110	-	120	954	3	114	3	225
SPB1250-06	6	1250	1257	4	5050	125	-	120	1204	3.5	127	3.5	245

* Diagram & Dimension will be change without prior notice.*

* Data stated above is for reference only.*

V-Belt Pulleys For Taper Bushes

SPB/8



Surface Phosphated

Dynamically balanced

SPB/8

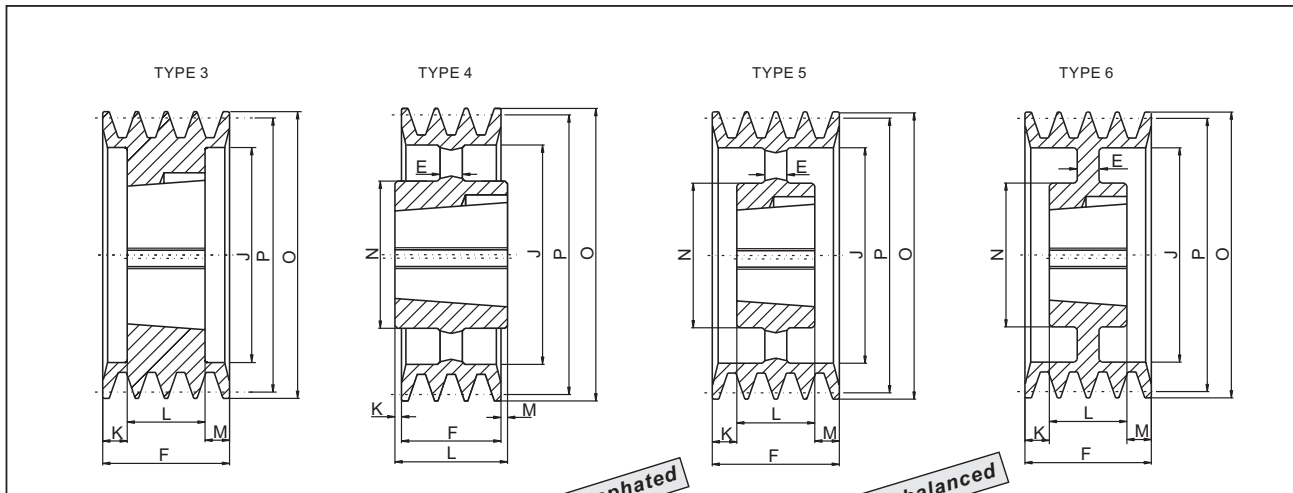
Type	Grooves	P	O	Type	Bush	Max Bore	E	F	J	K	L	M	N
SPB 140-08	8	140	147	3	2517	60	-	158	97	56.5	45	56.5	-
SPB 160-08	8	160	167	3	3020	75	-	158	117	53.5	51	53.5	-
SPB 170-08	8	170	177	3	3030	75	-	158	127	41	76	41	-
SPB 180-08	8	180	187	3	3030	75	-	158	137	41	76	41	-
SPB 190-08	8	190	197	3	3030	75	-	158	147	41	76	41	-
SPB 200-08	8	200	207	3	3535	90	-	158	157	34.5	89	34.5	-
SPB 212-08	8	212	219	3	3535	90	-	158	169	34.5	89	34.5	-
SPB 224-08	8	224	231	3	3535	90	-	158	181	34.5	89	34.5	-
SPB 236-08	8	236	243	3	3535	90	-	158	193	34.5	89	34.5	-
SPB 250-08	8	250	257	3	3535	90	-	158	207	34.5	89	34.5	-
SPB 280-08	8	280	287	3	3535	90	-	158	237	34.5	89	34.5	-
SPB 300-08	8	300	307	6	3535	90	20	158	257	34.5	89	34.5	170
SPB 315-08	8	315	322	6	3535	90	18	158	272	34.5	89	34.5	170
SPB 335-08	8	335	342	6	3535	90	18	158	292	34.5	89	34.5	170
SPB 355-08	8	355	362	6	3535	90	18	158	312	34.5	89	34.5	170
SPB 400-08	8	400	407	5	4040	100	-	158	357	28	102	28	200
SPB 450-08	8	450	457	5	4040	100	-	158	407	28	102	28	200
SPB 500-08	8	500	507	5	4040	100	-	158	457	28	102	28	200
SPB 560-08	8	560	567	5	4545	110	-	158	517	22	114	22	225
SPB 630-08	8	630	637	5	4545	110	-	158	587	22	114	22	225
SPB 710-08	8	710	717	5	4545	110	-	158	664	22	114	22	225
SPB 800-08	8	800	807	5	4545	110	-	158	754	22	114	22	225
SPB 900-08	8	900	907	5	4545	110	-	158	854	22	114	22	225
SPB 1000-08	8	1000	1007	5	5050	125	-	158	954	15.5	127	15.5	245
SPB 1250-08	8	1250	1257	5	5050	125	-	158	1204	15.5	127	15.5	245

* Diagram & Dimension will be change without prior notice.*

* Data stated above is for reference only.*

V-Belt Pulleys For Taper Bushes

SPB/10



Surface Phosphated

Dynamically balanced

SPB/10

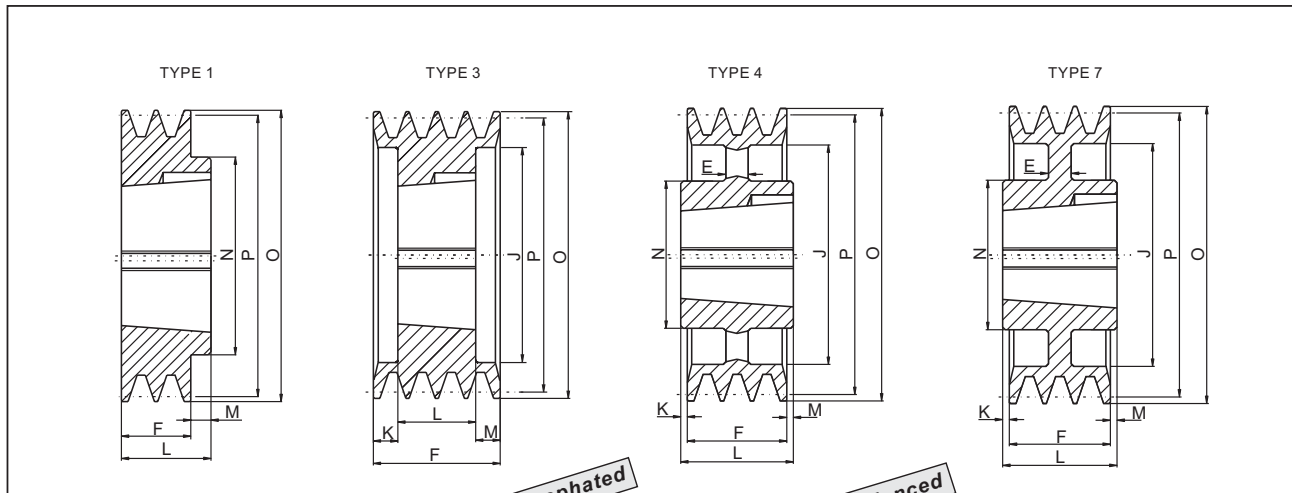
Type	Grooves	P	O	Type	Bush	Max Bore	E	F	J	K	L	M	N
SPB 224-10	10	224	231	3	3535	90	-	196	181	53.5	89	53.5	-
SPB 236-10	10	236	243	3	3535	90	-	196	193	53.5	89	53.5	-
SPB 250-10	10	250	257	3	3535	90	-	196	207	53.5	89	53.5	-
SPB 280-10	10	280	287	3	3535	90	-	196	237	53.5	89	53.5	-
SPB 315-10	10	315	322	6	3535	90	18	196	272	53.5	89	53.5	170
SPB 335-10	10	335	342	6	4040	100	20	196	292	47	102	47	200
SPB 355-10	10	355	362	6	4040	100	20	196	312	47	102	47	200
SPB 400-10	10	400	407	5	4040	100	-	196	357	47	102	47	200
SPB 450-10	10	450	457	5	4545	110	-	196	407	41	114	41	225
SPB 500-10	10	500	507	5	4545	110	-	196	457	41	114	41	225
SPB 560-10	10	560	567	5	4545	110	-	196	517	41	114	41	225
SPB 630-10	10	630	637	5	4545	110	-	196	587	41	114	41	225
SPB 710-10	10	710	717	5	4545	110	-	196	664	41	114	41	225
SPB 800-10	10	800	807	5	4545	110	-	196	754	41	114	41	225
SPB 900-10	10	900	907	5	5050	125	-	196	854	34.5	127	34.5	245
SPB 1000-10	10	1000	1007	5	5050	125	-	196	954	34.5	127	34.5	245

* Diagram & Dimension will be change without prior notice.*

* Data stated above is for reference only.*

V-Belt Pulleys For Taper Bushes

SPC/3



Surface Phosphated

Dynamically balanced

SPC/3

Type	Grooves	P	O	Type	Bush	Max Bore	F	J	K	L	M	N	E
SPC 200-03	3	200	209,6	3	2517	60	85	150	20	45	20	-	-
SPC 212-03	3	212	221,6	3	3020	75	85	162	17	51	17	-	-
SPC 224-03	3	224	233,6	3	3020	75	85	173	17	51	17	-	-
SPC 236-03	3	236	245,6	6	3020	75	85	185	17	51	17	145	-
SPC 250-03	3	250	259,6	6	3020	75	85	200	17	51	17	145	-
SPC 265-03	3	265	274,6	1	3535	90	85	213	-	89	4	170	-
SPC 280-03	3	280	289,6	7	3535	90	85	228	-	89	4	170	-
SPC 300-03	3	300	309,6	7	3535	90	85	249	2	89	2	170	18
SPC 315-03	3	315	324,6	7	3535	90	85	264	2	89	2	170	18
SPC 335-03	3	335	344,6	7	3535	90	85	284	2	89	2	170	18
SPC 355-03	3	355	364,6	7	3535	90	85	304	2	89	2	170	18
SPC 375-03	3	375	384,6	4	3535	90	85	324	2	89	2	170	20
SPC 400-03	3	400	409,6	4	3535	90	85	344	2	89	2	170	-
SPC 425-03	3	425	434,6	4	3535	90	85	369	2	89	2	170	-
SPC 450-03	3	450	459,6	4	3535	90	85	394	2	89	2	170	-
SPC 475-03	3	475	484,6	4	3535	90	85	419	2	89	2	170	-
SPC 500-03	3	500	509,6	4	3535	90	85	444	2	89	2	170	-
SPC 530-03	3	530	539,6	4	3535	90	85	474	2	89	2	170	-
SPC 560-03	3	560	569,6	4	3535	90	85	504	2	89	2	170	-
SPC 630-03	3	630	639,6	4	4040	100	85	574	8,5	102	8,5	200	-
SPC 800-03	3	800	809,6	4	4545	110	85	737	4	114	25	225	-
SPC 1000-03	3	1000	1009,6	4	5050	125	85	937	8	127	34	245	-
SPC 1250-03	3	1250	1259,6	4	5050	125	85	1187	8	127	34	245	-

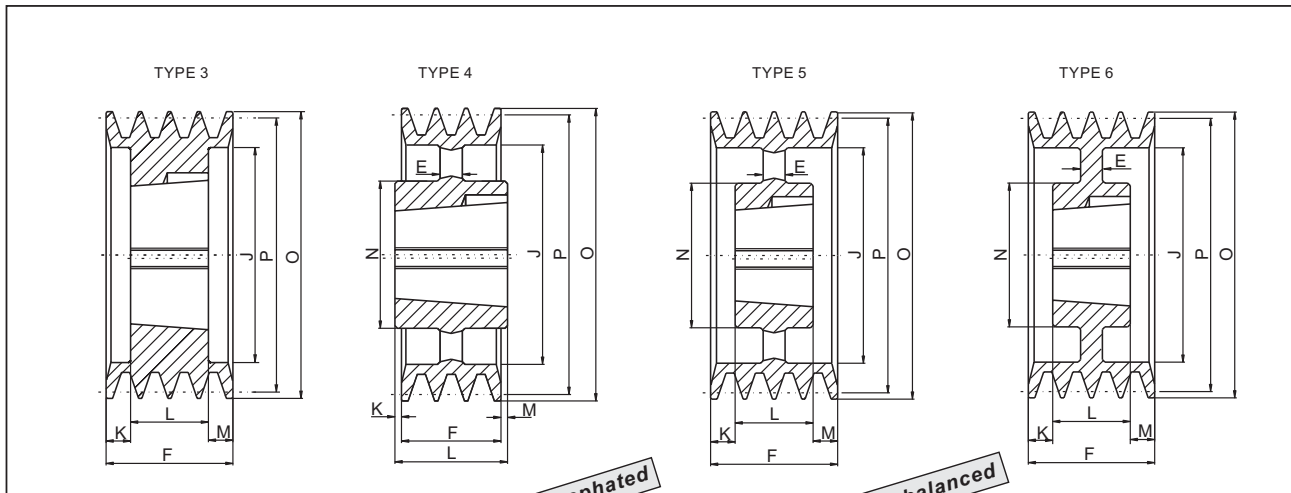
* Diagram & Dimension will be change without prior notice.*

* Data stated above is for reference only.*

CAST IRON

V-Belt Pulleys For Taper Bushes

SPC/4



Surface Phosphated

Dynamically balanced

SPC/4

Type	Grooves	P	O	Type	Bush	Max Bore	E	F	J	K	L	M	N
SPC 200-04	4	200	209,6	3	3020	75	-	111	148	30	51	30	-
SPC 212-04	4	212	221,6	3	3020	75	-	111	160	30	51	30	-
SPC 224-04	4	224	233,6	3	3535	90	-	111	172	11	89	11	-
SPC 236-04	4	236	245,6	3	3535	90	-	111	184	11	89	11	-
SPC 250-04	4	250	259,6	3	3535	90	-	111	198	11	89	11	-
SPC 265-04	4	265	274,6	3	3535	90	-	111	213	11	89	11	-
SPC 280-04	4	280	289,6	6	3535	90	-	111	228	11	89	11	-
SPC 300-04	4	300	309,6	6	3535	90	20	111	248	11	89	11	170
SPC 315-04	4	315	324,6	6	3535	90	20	111	263	11	89	11	170
SPC 335-04	4	335	344,6	6	3535	90	20	111	283	11	89	11	170
SPC 355-04	4	355	364,6	6	3535	90	20	111	303	11	89	11	170
SPC 375-04	4	375	384,6	6	3535	90	25	111	323	11	89	11	170
SPC 400-04	4	400	409,6	5	3535	90	-	111	344	11	89	11	170
SPC 425-04	4	425	434,6	5	3535	90	-	111	369	11	89	11	170
SPC 450-04	4	450	459,6	5	3535	90	-	111	394	11	89	11	170
SPC 475-04	4	475	484,6	5	3535	90	-	111	419	11	89	11	170
SPC 500-04	4	500	509,6	5	3535	90	-	111	444	11	89	11	170
SPC 530-04	4	530	539,6	5	3535	90	-	111	474	11	89	11	170
SPC 560-04	4	560	569,6	5	4040	100	-	111	504	4,5	102	4,5	200
SPC 630-04	4	630	639,6	4	4545	110	-	111	574	1,5	114	1,5	225
SPC 710-04	4	710	719,6	4	5050	125	-	111	654	4	127	12	245
SPC 800-04	4	800	809,6	4	5050	125	-	111	737	4	127	12	245
SPC 1000-04	4	1000	1009,6	4	5050	125	-	111	937	4	127	12	245
SPC 1250-04	4	1250	1259,6	4	5050	125	-	111	1187	4	127	12	245

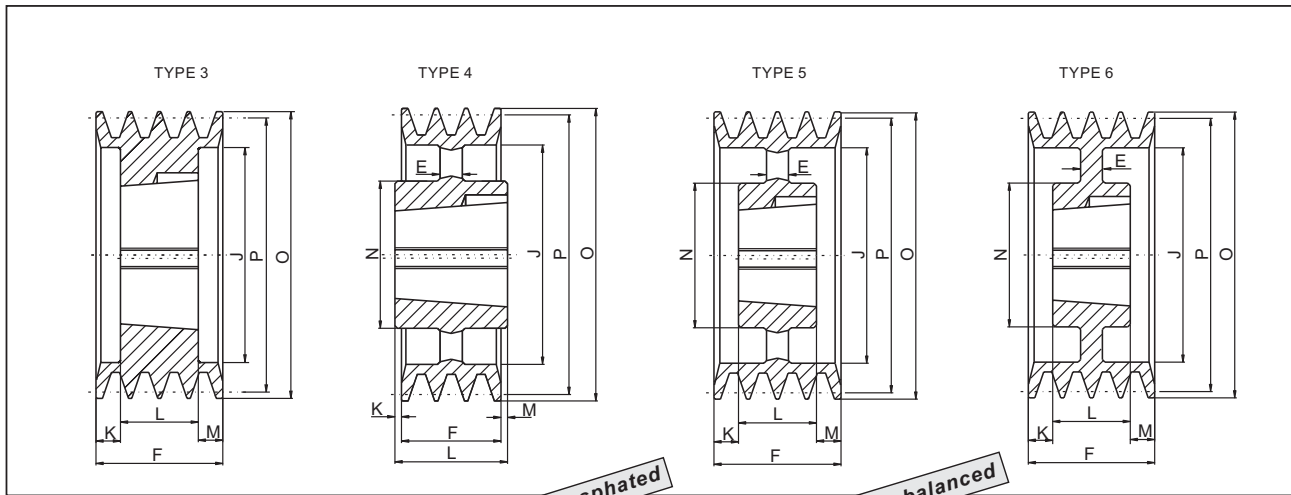
* Diagram & Dimension will be change without prior notice.*

* Data stated above is for reference only.*

CAST IRON

V-Belt Pulleys For Taper Bushes

SPC/5



Surface Phosphated

Dynamically balanced

SPC/5

Type	Grooves	P	O	Type	Bush	Max Bore	E	F	J	K	L	M	N
SPC 200-05	5	200	209,6	3	3535	90	-	136	148	23.5	89	23.5	-
SPC 212-05	5	212	221,6	3	3535	90	-	136	160	23.5	89	23.5	-
SPC 224-05	5	224	233,6	3	3535	90	-	136	173	23.5	89	23.5	-
SPC 236-05	5	236	245,6	3	3535	90	-	136	185	23.5	89	23.5	-
SPC 250-05	5	250	259,6	3	3535	90	-	136	198	23.5	89	23.5	-
SPC 265-05	5	265	274,6	3	3535	90	-	136	213	23.5	89	23.5	-
SPC 280-05	5	280	289,6	6	3535	90	-	136	228	23.5	89	23.5	-
SPC 300-05	5	300	309,6	6	3535	90	20	136	248	23.5	89	23.5	170
SPC 315-05	5	315	324,6	6	3535	90	20	136	264	23.5	89	23.5	170
SPC 335-05	5	335	344,6	6	3535	90	20	136	283	23.5	89	23.5	170
SPC 355-05	5	355	364,6	6	3535	90	20	136	303	23.5	89	23.5	170
SPC 375-05	5	375	384,6	6	3535	90	20	136	324	23.5	89	23.5	170
SPC 400-05	5	400	409,6	5	3535	90	-	136	344	23.5	89	23.5	170
SPC 425-05	5	425	434,6	6	4040	100	-	136	369	17	102	17	200
SPC 450-05	5	450	459,6	5	4040	100	-	136	394	17	102	17	200
SPC 475-05	5	475	484,6	5	4040	100	-	136	419	17	102	17	200
SPC 500-05	5	500	509,6	5	4040	100	-	136	444	17	102	17	200
SPC 530-05	5	530	539,6	5	4040	100	-	136	474	17	102	17	200
SPC 560-05	5	560	569,6	5	4545	110	-	136	504	11	114	11	225
SPC 630-05	5	630	639,6	5	5050	125	-	136	574	4.5	127	4.5	245
SPC 710-05	5	710	719,6	5	5050	125	-	136	654	4.5	127	4.5	245
SPC 800-05	5	800	809,6	5	5050	125	-	136	737	4.5	127	4.5	245
SPC 1000-05	5	1000	1009,6	5	5050	125	-	136	937	4.5	127	4.5	245
SPC 1250-05	5	1250	1259,6	5	5050	125	-	136	1187	4.5	127	4.5	245

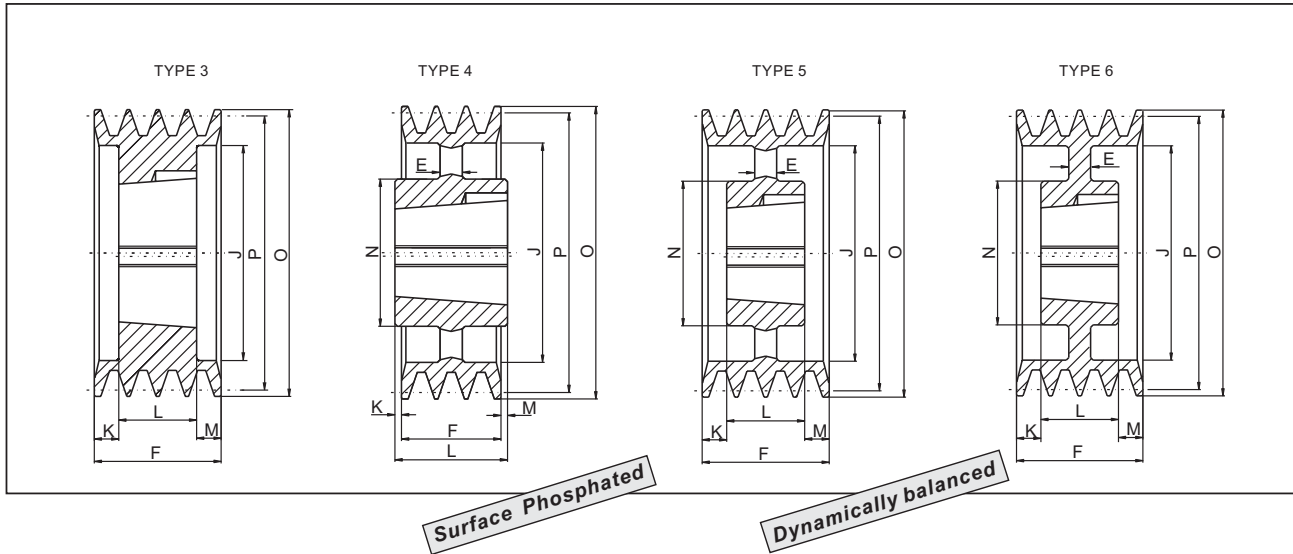
* Diagram & Dimension will be change without prior notice.*

* Data stated above is for reference only.*

CAST IRON

V-Belt Pulleys For Taper Bushes

SPC/6



SPC/6

Type	Grooves	P	O	Type	Bush	Max Bore	E	F	J	K	L	M	N
SPC 200-06	6	200	209.6	3	3535	90	-	162	148	36.5	89	36.5	-
SPC 212-06	6	212	221.6	3	3535	90	-	162	160	36.5	89	36.5	-
SPC 224-06	6	224	233.6	3	3535	90	-	162	173	36.5	89	36.5	-
SPC 236-06	6	236	245.6	3	3535	90	-	162	185	36.5	89	36.5	-
SPC 250-06	6	250	259.6	3	3535	90	-	162	198	36.5	89	36.5	-
SPC 265-06	6	265	274.6	3	3535	90	-	162	213	36.5	89	36.5	-
SPC 280-06	6	280	289.6	6	3535	90	-	162	228	36.5	89	36.5	-
SPC 300-06	6	300	309.6	6	3535	90	20	162	248	36.5	89	36.5	170
SPC 315-06	6	315	324.6	6	3535	90	20	162	264	36.5	89	36.5	170
SPC 335-06	6	335	344.6	6	3535	90	20	162	283	36.5	89	36.5	170
SPC 355-06	6	355	364.6	6	3535	90	20	162	304	36.5	89	36.5	170
SPC 375-06	6	375	384.6	6	4040	100	20	162	324	30	102	30	200
SPC 400-06	6	400	409.6	6	4040	100	20	162	348	30	102	30	200
SPC 425-06	6	425	434.6	6	4545	110	30	162	369	24	114	24	225
SPC 450-06	6	450	459.6	6	4545	110	30	162	394	24	114	24	225
SPC 475-06	6	475	484.6	6	4545	110	30	162	419	24	114	24	225
SPC 500-06	6	500	509.6	5	4545	110	30	162	444	24	114	24	225
SPC 530-06	6	530	539.6	5	4545	110	30	162	474	24	114	24	225
SPC 560-06	6	560	569.6	5	5050	125	-	162	504	17.5	127	17.5	245
SPC 630-06	6	630	639.6	5	5050	125	-	162	574	17.5	127	17.5	245
SPC 710-06	6	710	719.6	5	5050	125	-	162	656	17.5	127	17.5	245
SPC 800-06	6	800	809.6	5	5050	125	-	162	737	17.5	127	17.5	245
SPC 1000-06	6	1000	1009.6	5	5050	125	-	162	937	17.5	127	17.5	245
SPC 1250-06	6	1250	1259.6	5	5050	125	-	162	1187	17.5	127	17.5	245

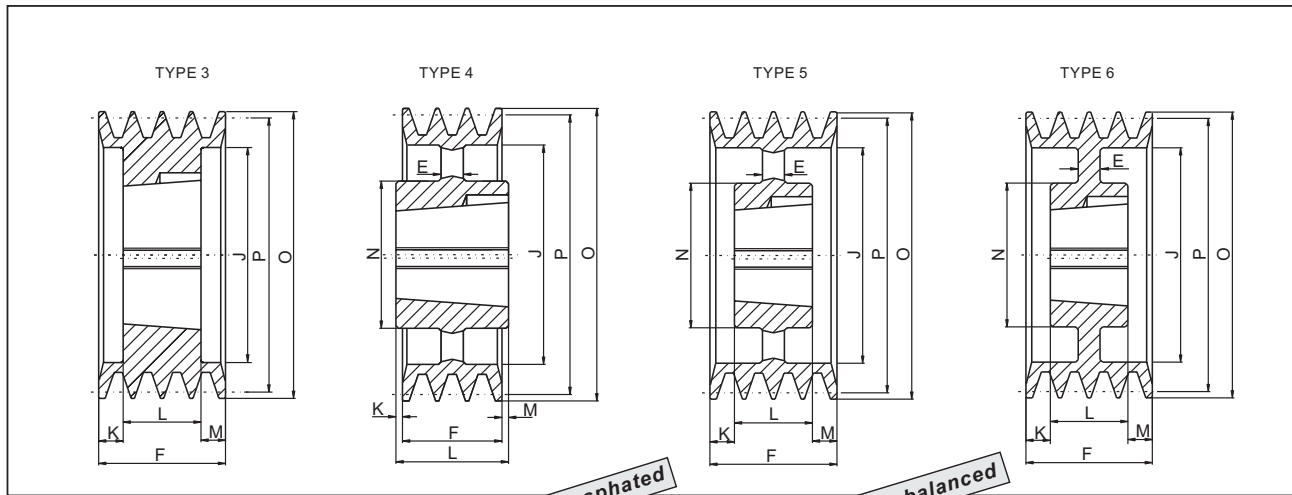
* Diagram & Dimension will be change without prior notice.*

* Data stated above is for reference only.*

CAST IRON

V-Belt Pulleys For Taper Bushes

SPC/8



Surface Phosphated

Dynamically balanced

SPC/8

Type	Grooves	P	O	Type	Bush	Max Bore	E	F	J	K	L	M	N
SPC 200-08	8	200	209,6	3	3535	90	-	213	148	62	89	62	-
SPC 212-08	8	212	221,6	3	3535	90	-	213	160	62	89	62	-
SPC 224-08	8	224	233,6	3	3535	90	-	213	170	62	89	62	-
SPC 236-08	8	236	245,6	3	3535	90	-	213	184	62	89	62	-
SPC 250-08	8	250	259,6	3	3535	90	-	213	198	62	89	62	-
SPC 265-08	8	265	274,6	3	3535	90	-	213	213	62	89	62	-
SPC 280-08	8	280	289,6	6	3535	90	-	213	228	62	89	62	-
SPC 300-08	8	300	309,6	3	4040	100	-	213	247	55,5	102	55,5	-
SPC 315-08	8	315	324,6	3	4040	100	-	213	258	55,5	102	55,5	-
SPC 335-08	8	335	344,6	6	4040	100	-	213	280	55,5	102	55,5	-
SPC 355-08	8	355	364,6	6	4040	100	-	213	304	55,5	102	55,5	200
SPC 375-08	8	375	384,6	6	4545	110	-	213	324	49,5	114	49,5	200
SPC 400-08	8	400	409,6	6	4545	110	20	213	348	49,5	114	49,5	220
SPC 425-08	8	425	434,6	6	5050	125	30	213	369	43	127	43	245
SPC 450-08	8	450	459,6	6	5050	125	30	213	394	43	127	43	245
SPC 475-08	5	475	484,6	6	5050	125	30	213	419	43	127	43	245
SPC 500-08	5	500	509,6	5	5050	125	30	213	444	43	127	43	245
SPC 530-08	5	530	539,6	5	5050	125	30	213	474	43	127	43	245
SPC 560-08	8	560	569,6	5	5050	125	-	213	504	43	127	43	245
SPC 630-08	8	630	639,6	5	5050	125	-	213	574	43	127	43	245
SPC 710-08	8	710	719,6	5	5050	125	-	213	656	43	127	43	245
SPC 800-08	8	800	809,6	5	5050	125	-	213	737	43	127	43	245
SPC 1000-08	8	1000	1009,6	5	5050	125	-	213	937	43	127	43	245
SPC 1250-08	8	1250	1259,6	5	5050	125	-	213	1187	43	127	43	245

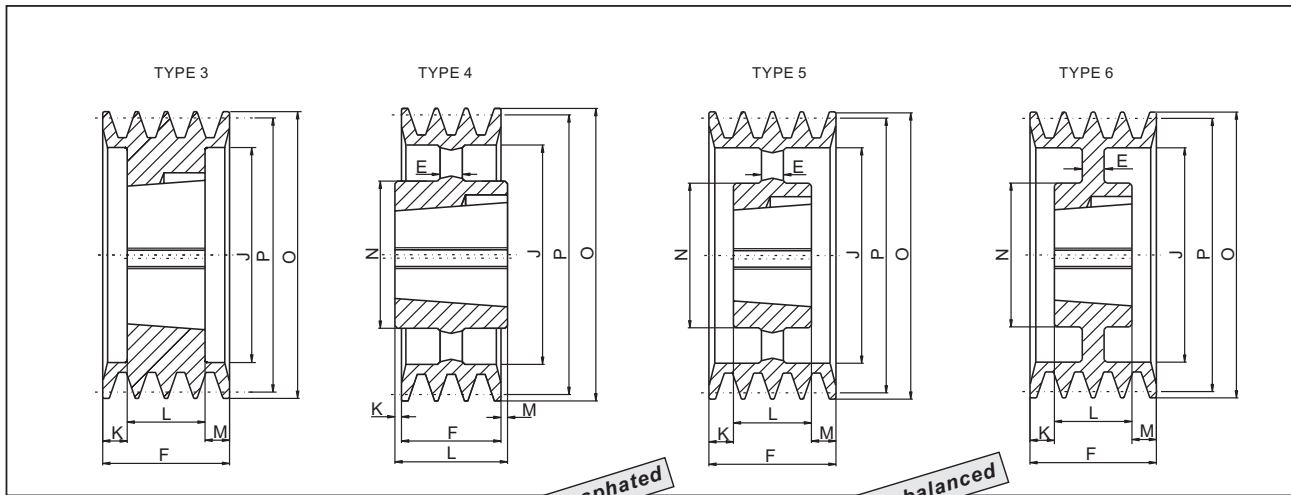
* Diagram & Dimension will be change without prior notice.*

* Data stated above is for reference only.*

CAST IRON

V-Belt Pulleys For Taper Bushes

SPC/10



* Diagram & Dimension will be change without prior notice.*
 * Data stated above is for reference only.*

SPC/10

CAST IRON

Type	Grooves	P	O	Type	Bush	Max Bore	E	F	J	K	L	M	N
SPC 250-10	10	250	259.6	3	4040	100	-	264	196	81	102	84	-
SPC 280-10	10	280	289.6	3	4040	100	-	264	226	81	102	81	-
SPC 300-10	10	300	309.6	3	4545	110	-	264	245	75	114	75	-
SPC 315-10	10	315	324.6	3	4545	110	-	264	258	75	114	75	-
SPC 355-10	10	355	364.6	3	4545	110	-	264	299	75	114	75	-
SPC 400-10	10	400	409.6	6	5050	125	-	264	342	68.5	127	68.5	245
SPC 450-10	10	450	459.6	6	5050	125	40	264	394	68.5	127	68.5	245
SPC 500-10	10	500	509.6	6	5050	125	40	264	444	68.5	127	68.5	245
SPC 560-10	10	560	569.6	5	5050	125	-	264	504	68.5	127	68.5	245
SPC 630-10	10	630	639.6	5	5050	125	-	264	574	68.5	127	68.5	245
SPC 710-10	10	710	719.6	5	5050	125	-	264	656	68.5	127	68.5	245
SPC 800-10	10	800	809.6	5	5050	125	-	264	737	68.5	127	68.5	245
SPC 1000-10	10	1000	1009.6	5	5050	125	-	264	937	68.5	127	68.5	245
SPC 1250-10	10	1250	1259.6	5	5050	125	-	264	1187	68.5	127	68.5	245